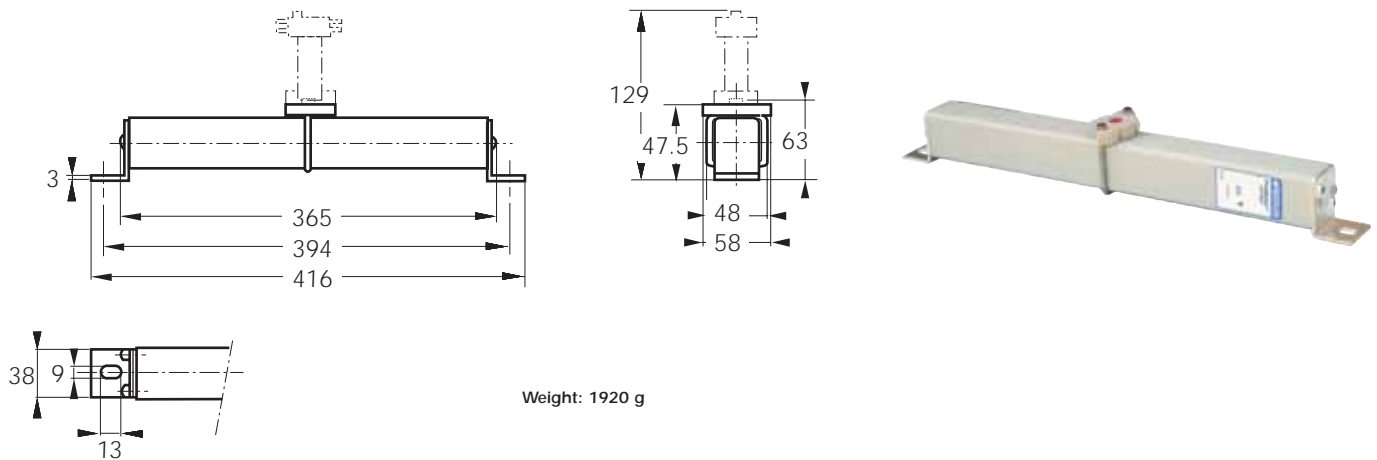


DC Square-body Fuses Sizes 600 - 602 - 2x602 gR Brackets size 600 - 3500 to 4000 V DC

gRB-gRD from 6 to 125 A

Dimensions



Main Characteristics

Size	Current rating I_N (A)	Breaking Capacity	Watts loss		Designation	Ref. Number	Catalog Number
			$0.8 I_N$ (W)	I_N (W)			
600	6	@ 3500 V DC 30 kA L/R = 30 ms	5.3	9.5	CC 35 gRB 600 QF 0006	S083736	D600GB35C6QF
	8		7	12.7	CC 35 gRB 600 QF 0008	R083735	D600GB35C8QF
	10		10.2	18.5	CC 35 gRB 600 QF 0010	N089390	D600GB35C10QF
	12		11	20	CC 35 gRB 600 QF 0012	V082220	D600GB35C12QF
	16		13.1	24	CC 35 gRB 600 QF 0016	P089391	D600GB35C16QF
	20		14	25.4	CC 35 gRB 600 QF 0020	Q089392	D600GB35C20QF
	25		18	32.5	CC 35 gRB 600 QF 0025	R089393	D600GB35C25QF
	32	@ 4000 V DC 30 kA L/R = 30 ms	25.5	46	CC 40 gRB 600 QF 0032	A086963	D600GB40C32QF
	40	35	63	CC 40 gRB 600 QF 0040	B086964	D600GB40C40QF	
	50	29	52	CC 40 gRB 600 QF 0050	C086965	D600GB40C50QF	
	63	42	76.5	CC 40 gRB 600 QF 0063	D086966	D600GB40C63QF	
	80	51	92	CC 40 gRB 600 QF 0080	E086967	D600GB40C80QF	
	80	@ 4000 V DC 30 kA L/R = 15 ms	39	67	CC 40 gRD 600 QF 0080	B075763	D600GD40C80QF
	100	50.5	88	CC 40 gRD 600 QF 0100	C075764	D600GD40C100QF	
	125	63	110	CC 40 gRD 600 QF 0125	D075765	D600GD40C125QF	

Pack: 1 piece

Microswitch MC 2R 3E 1-5NBS Ref. Number: J310025



DC Square-body Fuses

Sizes 600 - 602 - 2x602

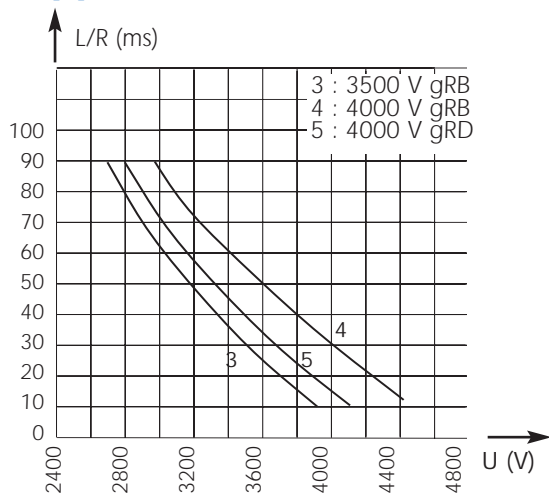
gR Brackets size 600 - 3500 to 4000 V DC



gRB-gRD from 6 to 125 A

Electrical characteristics

DC applications data

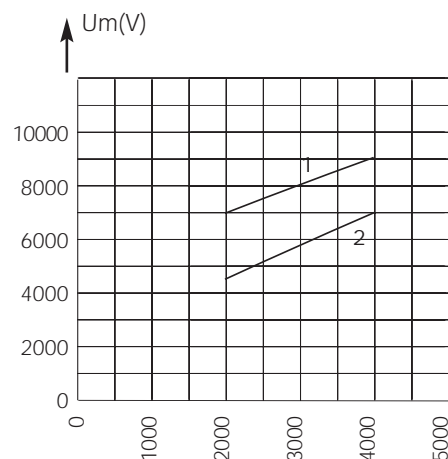


Above: Curves indicate maximum permissible value of time constant L/R as a function of DC working voltage

Max. AC voltage (50/60 Hz):

3600 V with breaking capacity of 30 kA

Peak arc voltage vs. working voltage

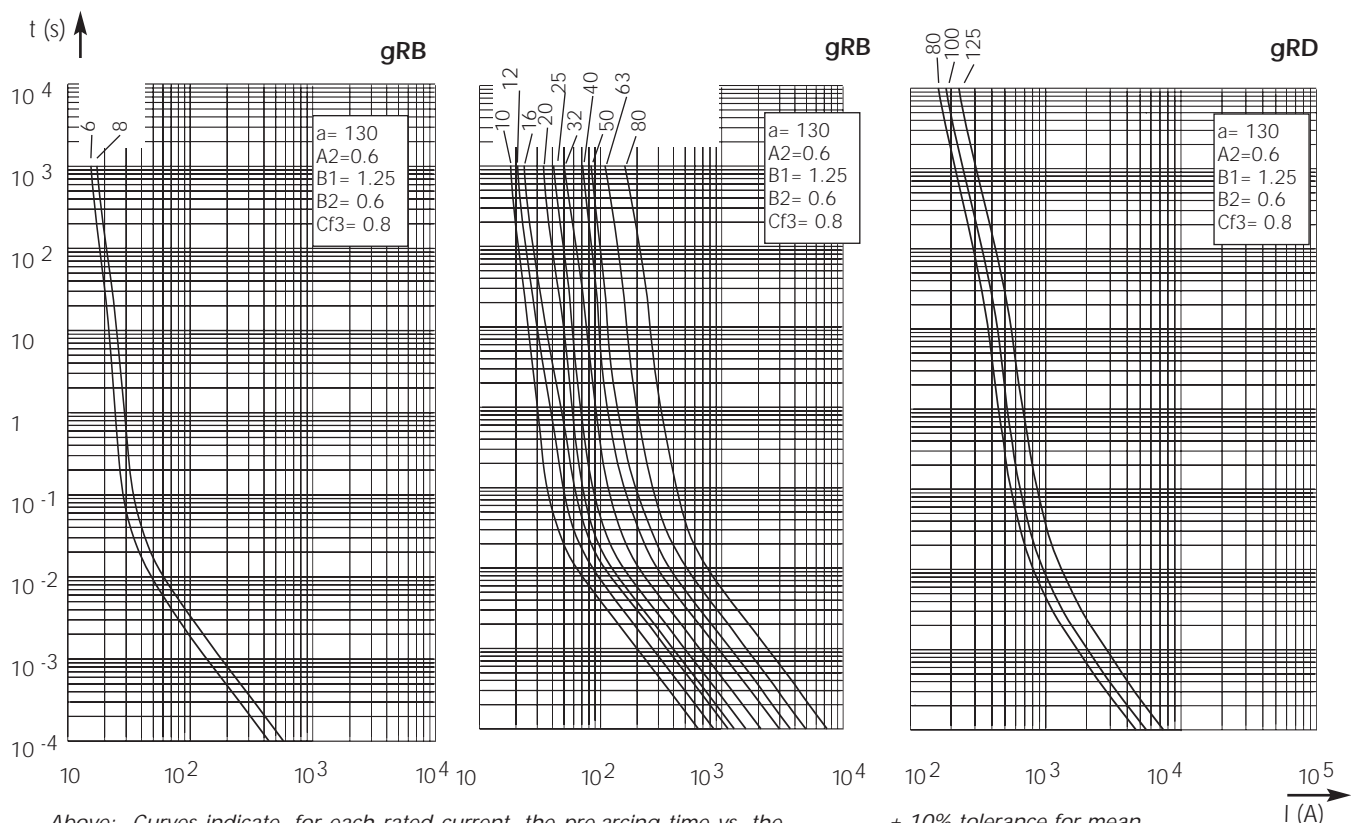


1: $L/R = 30 \text{ ms}$ -3500-4000 V gRB

2: $L/R = 15 \text{ ms}$ 4000 V gRD

Above: Curves indicate for various time constants L/R the peak arc voltage which may appear across fuse terminals, vs. DC working voltage

Time vs. current characteristics



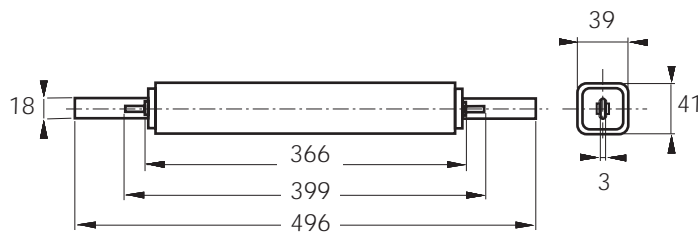
Above: Curves indicate, for each rated current, the pre-arcing time vs. the R.M.S. pre-arcing current.

$\pm 10\%$ tolerance for mean pre-arcing current

DC Square-body Fuses Sizes 600 - 602 - 2x602 gR Blades size 600 - 3500 to 4000 V DC

gRB from 10 to 80 A

Dimensions



Weight: 1424 g

Main Characteristics

Size	Current rating I_N (A)	Breaking Capacity	Watts loss		Designation	Ref. Number	Catalog Number
			$0.8 I_N$ (W)	I_N (W)			
600	10	@ 3500 V DC 30 kA L/R = 30 ms	10.2	18.5	CC 35000 CV3 gRB 600 PSP 10	K088145	D 600 GB 35 C10 P
	12		11	20	CC 35000 CV3 gRB 600 PSP 12	T081023	D 600 GB 35 C12 P
	16		13.1	24	CC 35000 CV3 gRB 600 PSP 16	D086989	D 600 GB 35 C16 P
	20		14	25.4	CC 35000 CV3 gRB 600 PSP 20	N087481	D 600 GB 35 C20 P
	25		18	32.5	CC 35000 CV3 gRB 600 PSP 25	E086783	D 600 GB 35 C25 P
	32	@ 4000 V DC 30 kA L/R = 30 ms	25.5	46	CC 40000 CV3 gRB 600 PSP 32	A086986	D 600 GB 40 C32 P
	40		35	63	CC 40000 CV3 gRB 600 PSP 40	Z086985	D 600 GB 40 C40 P
	50		29	52	CC 40000 CV3 gRB 600 PSP 50	Y086984	D 600 GB 40 C50 P
	63		42	76.5	CC 40000 CV3 gRB 600 PSP 63	X086983	D 600 GB 40 C63 P
	80		51	92	CC 40000 CV3 gRB 600 PSP 80	W086982	D 600 GB 40 C80 P

Pack: 1 piece



DC Square-body Fuses

Sizes 600 - 602 - 2x602

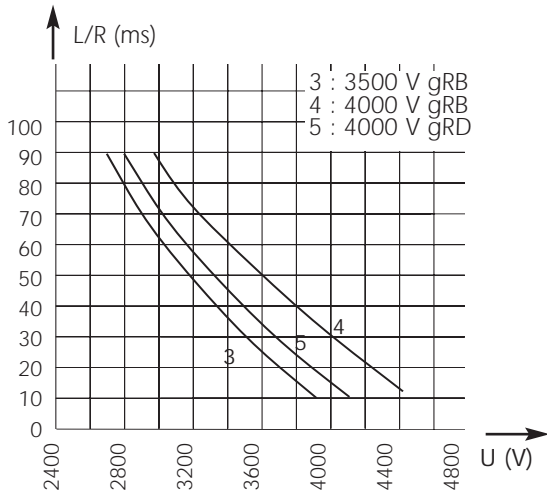
gR Blades size 600 - 3500 to 4000 V DC



gRB-gRD from 10 to 80 A

Electrical characteristics

DC applications data

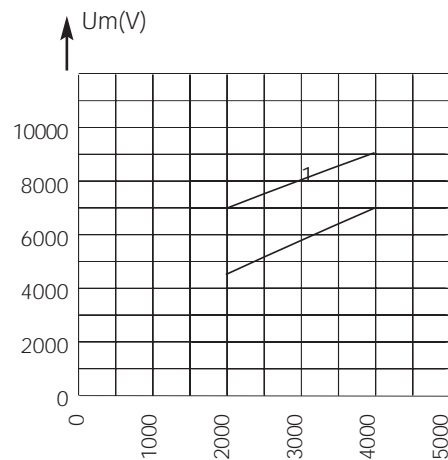


Above: Curves indicate maximum permissible value of time constant L/R as a function of DC working voltage

Max. AC voltage (50/60 Hz):

3600 V with breaking capacity of 30 kA

Peak arc voltage vs. working voltage

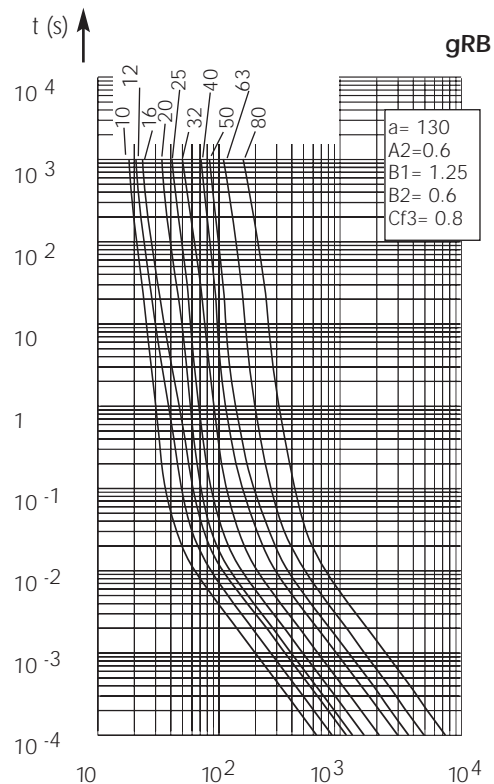


1: L/R = 30 ms-3500-4000 V gRB

2: L/R = 15 ms 4000 V gRD

Above: Curves indicate for various time constants L/R the peak arc voltage which may appear across fuse terminals, vs. DC working voltage

Time vs. current characteristics



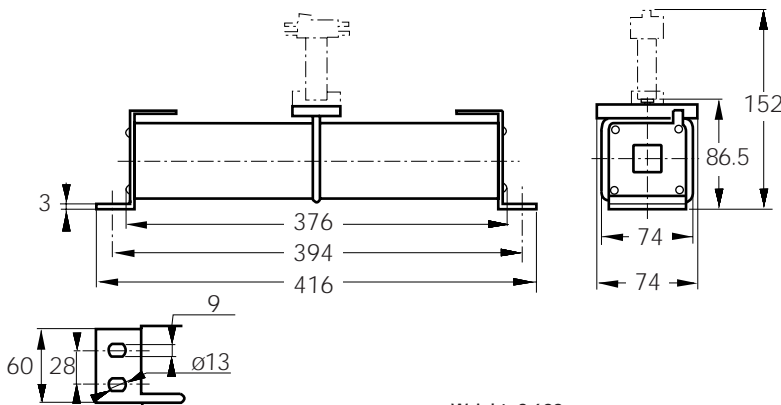
± 8% tolerance for mean pre-arcing current

Above: Curves indicate, for each rated current, the pre-arcing time vs. the R.M.S. pre-arcing current.

DC Square-body Fuses Sizes 600 - 602 - 2x602 gR Brackets size 602 - 4000 V DC

gRB-gRD from 100 to 280 A

Dimensions



Weight: 3,600 g



Main Characteristics

Size	Current rating I_N (A)	Breaking Capacity	Watts loss		Designation	Ref. Number	Catalog Number
			$0.8 I_N$ (W)	I_N (W)			
602	100	@ 4000 V DC	55.6	100.8	CC 40 gRB 602 QF 0100	V086958	D602GB40C100QF
	125	30 kA	72.4	131.1	CC 40 gRB 602 QF 0125	W086959	D602GB40C125QF
	160	L/R = 30 ms	84.8	153.6	CC 40 gRB 602 QF 0160	X086960	D602GB40C160QF
	160	@ 4000 V DC	58	101	CC 40 gRD 602 QF 0160	E075766	D602GD40C160QF
	200	30 kA	76.5	141	CC 40 gRD 602 QF 0200	F075767	D602GD40C200QF
	250	L/R = 15 ms	95	174	CC 40 gRD 602 QF 0250	G075768	D602GD40C250QF
	280		108	198	CC 40 gRD 602 QF 0280	H075769	D602GD40C280QF

Pack: 1 piece

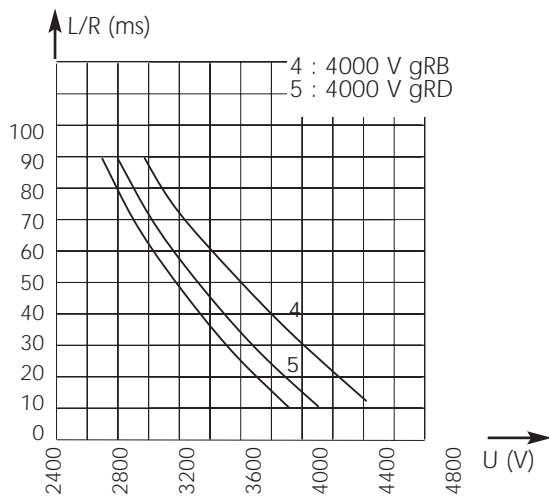
Microswitch MC 2R 3E 1-5NBS Ref. Number: J310025



DC Square-body Fuses Sizes 600 - 602 - 2x602 gR Brackets size 602 - 4000 V DC

gRB-gRD from 100 to 280 A

Electrical characteristics DC applications data

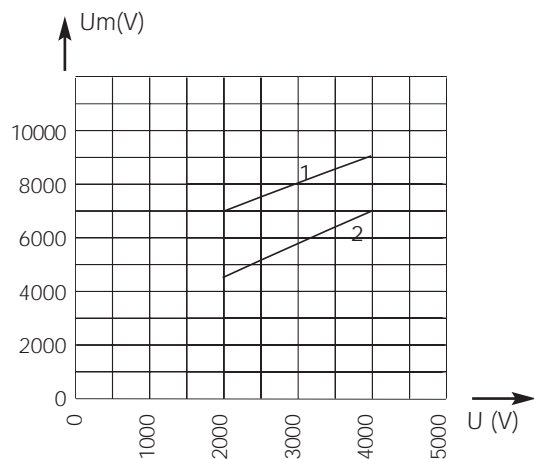


Above: Curves indicate maximum permissible value of time constant L/R as a function of DC working voltage

Max. AC voltage (50/60 Hz):
 3600 V with breaking capacity of 30 kA

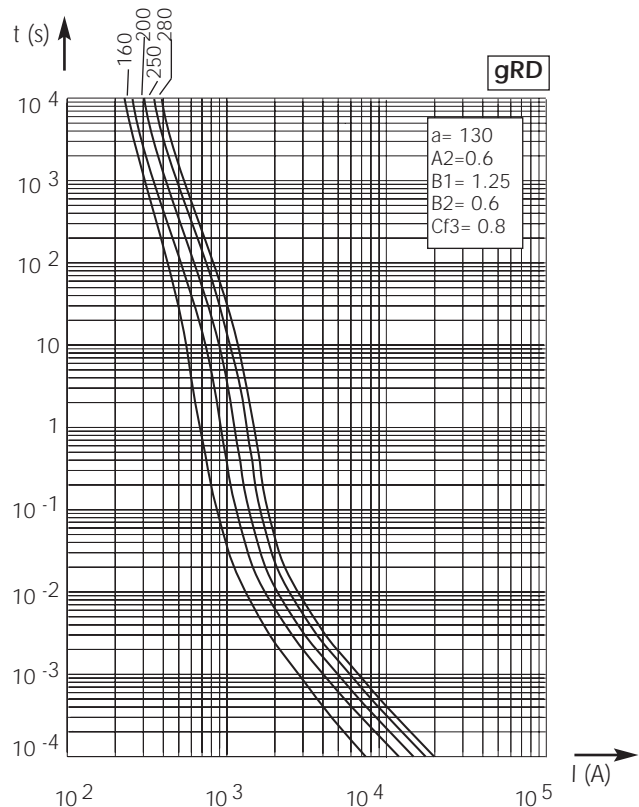
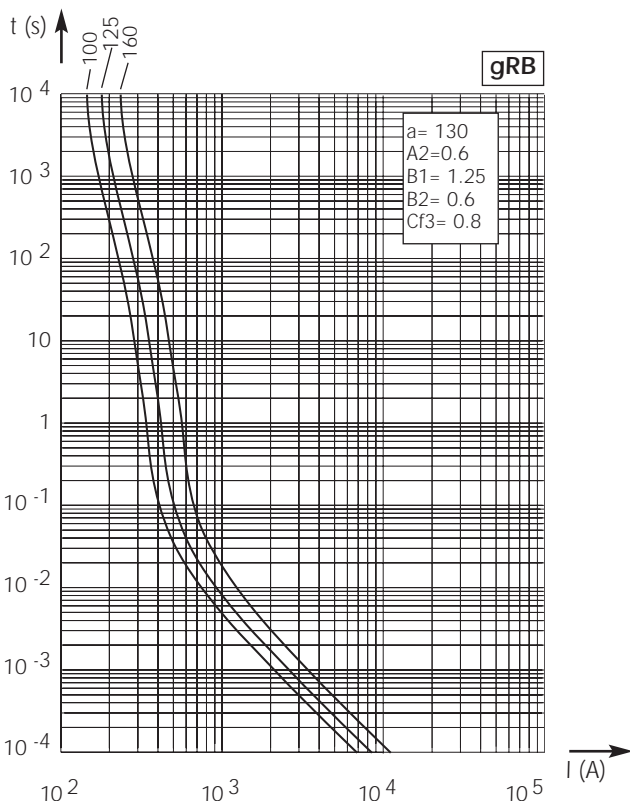
Time vs. current characteristics

Peak arc voltage vs. working voltage



1 : $L/R = 30$ ms 4000 V gRB
 2 : $L/R = 15$ ms 4000 V gRD

Above: Curves indicate for various time constants L/R the peak arc voltage which may appear across fuse terminals, vs. DC working voltage



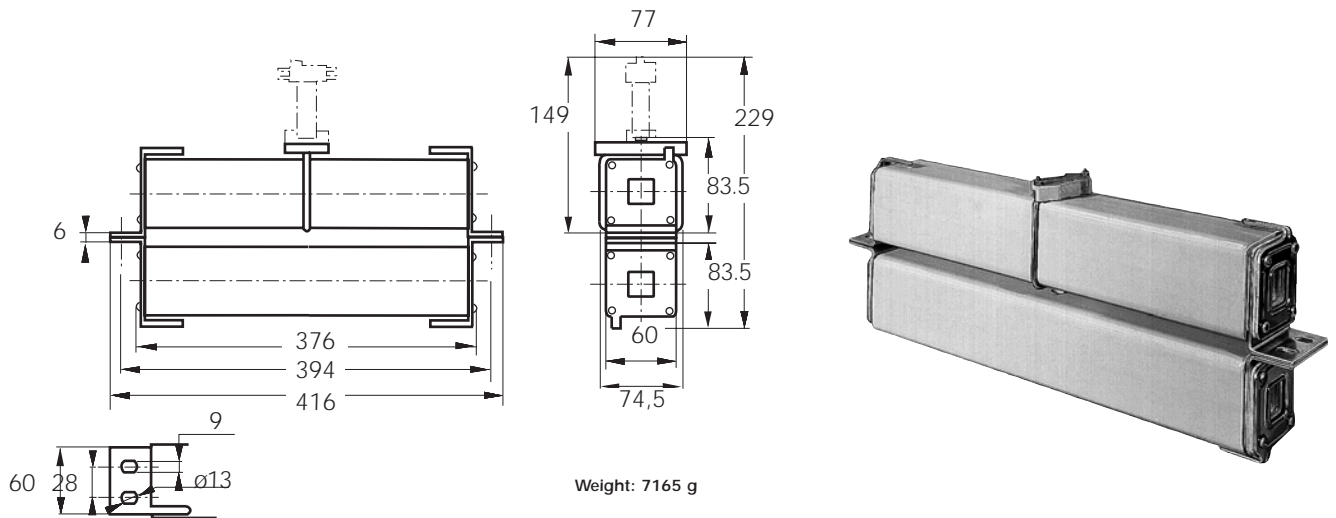
Above, left and right: Curves indicate, for each rated current, pre-arcing time vs. R.M.S. pre-arcing current

$\pm 10\%$ tolerance for mean pre-arcing current

DC Square-body Fuses Sizes 600 - 602 - 2x602 gR Brackets size 2x302 - 4000 V DC

gRB-gRD from 200 to 560 A

Dimensions



Main Characteristics

Size	Current rating I_N (A)	Breaking Capacity	Watts loss		Designation	Ref. Number	Catalog Number
			$0.8 I_N$ (W)	I_N (W)			
2x602	200	@ 4000 V DC	109	200	CC 40 gRB 2x602 QF 200M	R086955	D2602GB40C200QF
	250	30 kA L/R = 30 ms	138	254	CC 40 gRB 2x602 QF 250M	S086956	D2602GB40C250QF
	315	@ 4000 V DC 30 kA L/R = 15 ms	126	231	CC 40 gRD 2x602 QF 315M	J075770	D2602GD40C315QF
	400		153	282	CC 40 gRD 2x602 QF 400M	K075771	D2602GD40C400QF
	500		190	348	CC 40 gRD 2x602 QF 500M	L075772	D2602GD40C500QF
	560		216	396	CC 40 gRD 2x602 QF 560M	M075773	D2602GD40C560QF

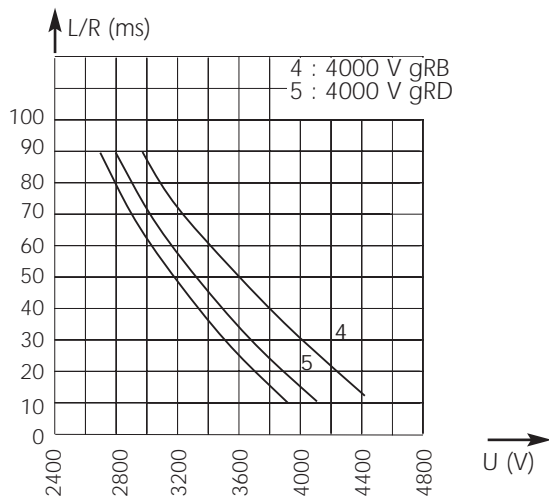
Pack: 1 piece

Microswitch MC 2R 3E 1-5NBS Ref. Number: J310025

DC Square-body Fuses Sizes 600 - 602 - 2x602 gR Brackets size 2x302 - 4000 V DC

gRB-gRD from 200 to 560 A

Electrical characteristics DC applications data

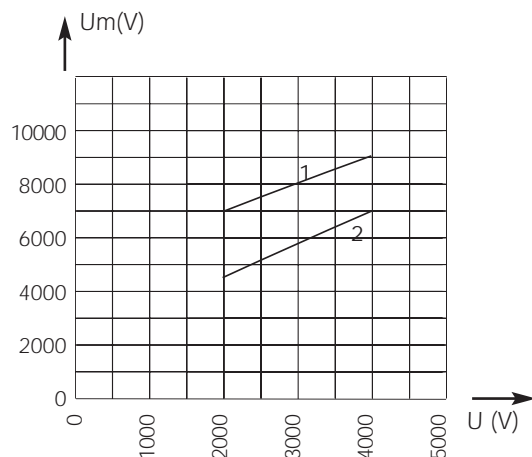


Above: Curves indicate maximum permissible value of time constant L/R as a function of DC working voltage

Max. AC voltage (50/60 Hz):
 3600 V with breaking capacity of 30 kA

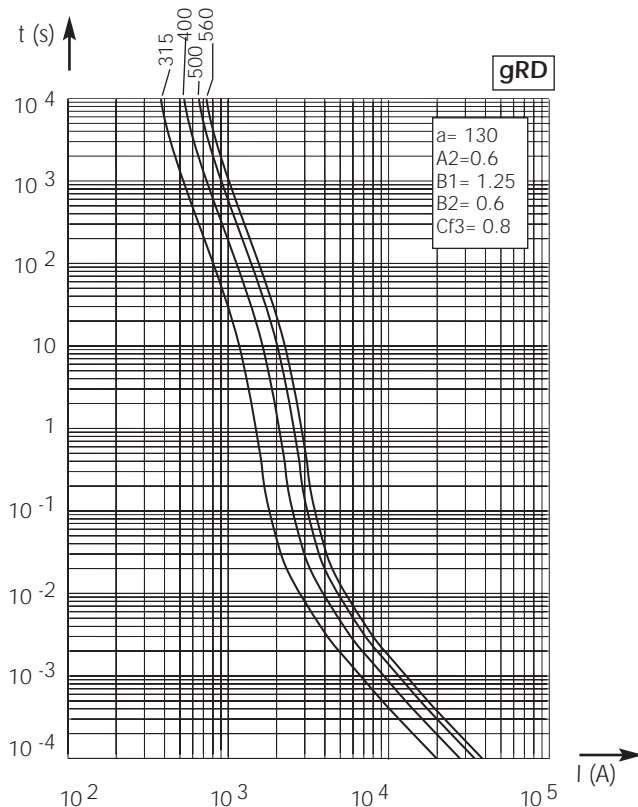
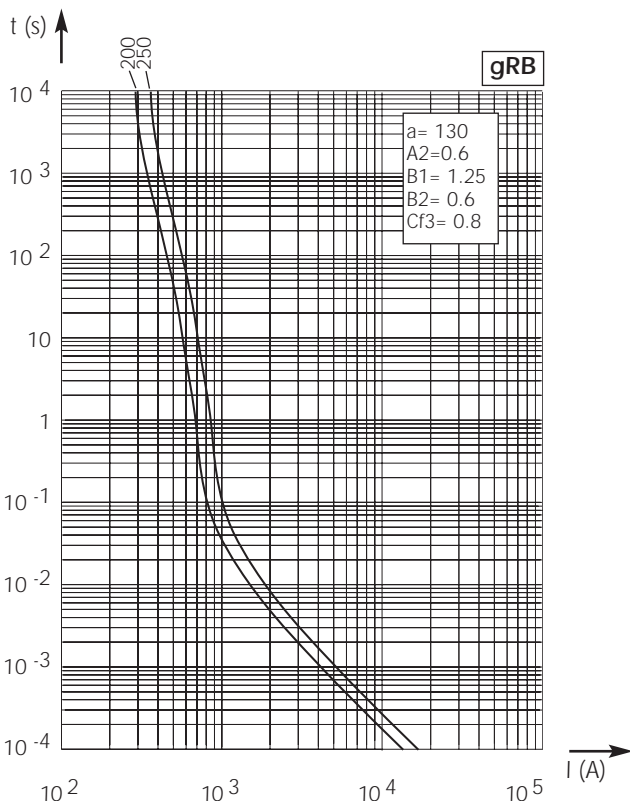
Time vs. current characteristics

Peak arc voltage vs. working voltage



1 : $L/R = 30$ ms 4000 V gRB
 2 : $L/R = 15$ ms 4000 V gRD

Above: Curves indicate for various time constants L/R the peak arc voltage which may appear across fuse terminals, vs. DC working voltage

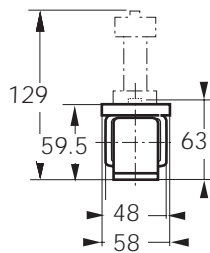
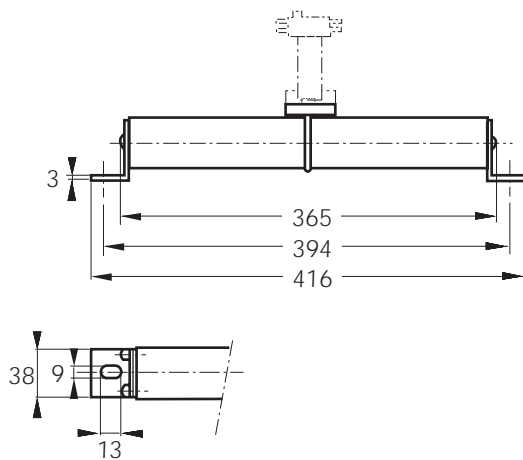


Above, left and right: Curves indicate, for each rated current, pre-arcing time vs. R.M.S. pre-arcing current $\pm 10\%$ tolerance for mean pre-arcing current

DC Square-body Fuses Sizes 600 - 602 - 2x602 SR Brackets size 600 - 3500 to 4200 V DC

3500 - 4000 VDC
 SRB from 10 to 32 A

Dimensions



Weight: 1920 kg

Main Characteristics

Size	Current rating I_N (A)	Breaking capacity	Watts loss		Designation	Ref. Number	Catalog Number
			0.8 I_N	I_N			
600	10	under 3500 V = 60 kA	5.5	12	CC 35 SRB 600 QF 0010	E089405	D600SB35C10QF
	16	L/R = 25 ms	8.2	18	CC 35 SRB 600 QF 0016	F089406	D600SB35C16QF
	20		10.5	23	CC 40 SRB 600 QF 0020	G086946	D600SB40C20QF
	25	under 4000 V: 60 kA	13.3	29	CC 40 SRB 600 QF 0025	H086947	D600SB40C25QF
	32	L/R = 25 ms	16.5	36	CC 40 SRB 600 QF 0032	J086948	D600SB40C32QF

Pack: 1 piece

Microswitch MC 2R 3E 1-5NBS Ref. Number: J310025

DC Square-body Fuses

Sizes 600 - 602 - 2x602

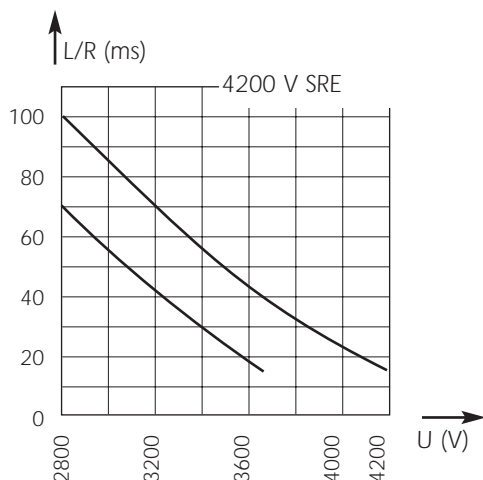
SR Brackets size 600 - 3500 to 4200 V DC

SRB from 10 to 32 A

Size 600

Electrical characteristics

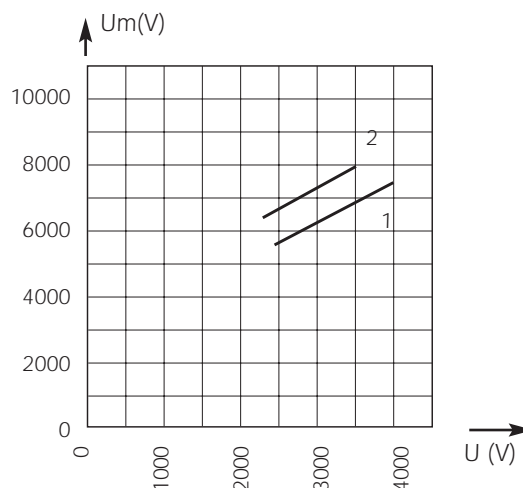
DC applications data



Above: Curve indicates maximum permissible value of time constant L/R as a function of DC working voltage

Max. AC voltage (50/60 Hz):
3800 V with breaking capacity of 50 kA

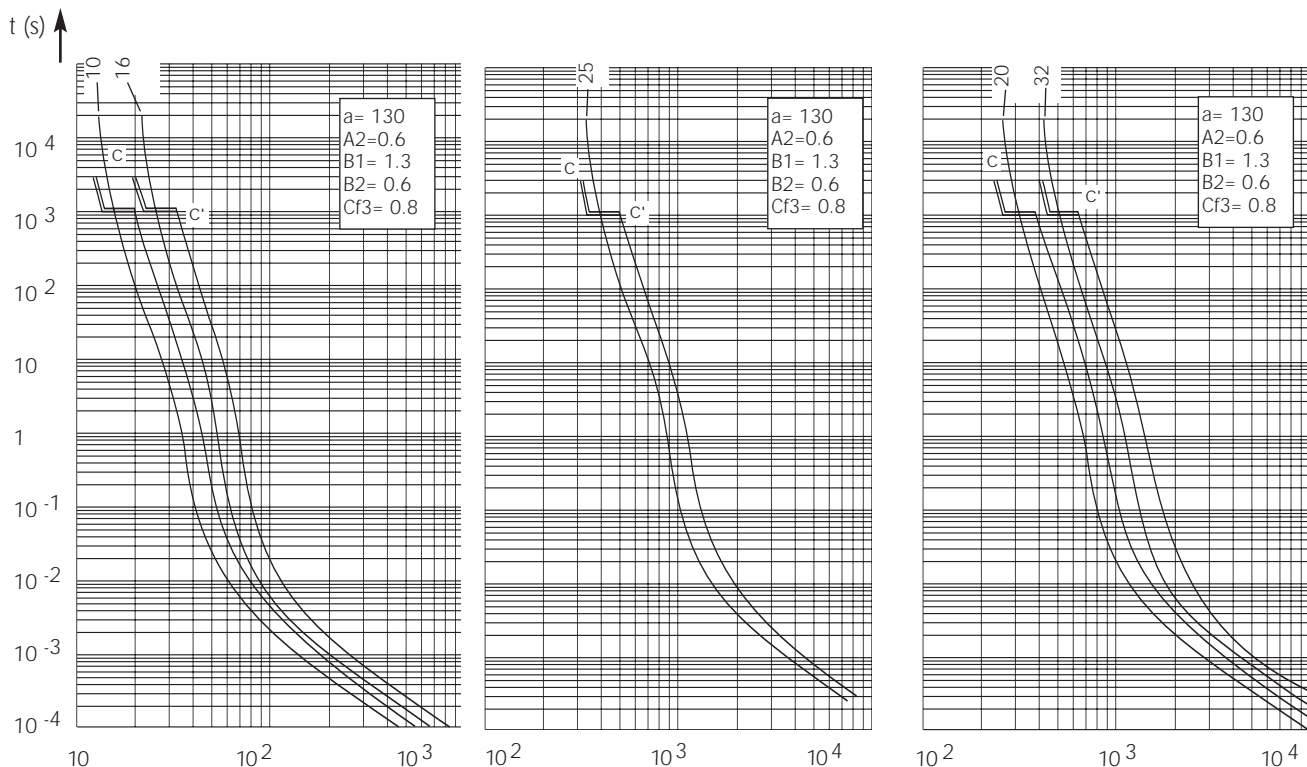
Peak arc voltage vs. working voltage



1 : $L/R = 15 \text{ ms}$ 4200 V SRE
2 : $L/R = 45 \text{ ms}$ 4200 V SRE

Above: Curves indicate for various time constants L/R the peak arc voltage which may appear across fuse terminals, vs. DC working voltage

Time vs. current characteristics

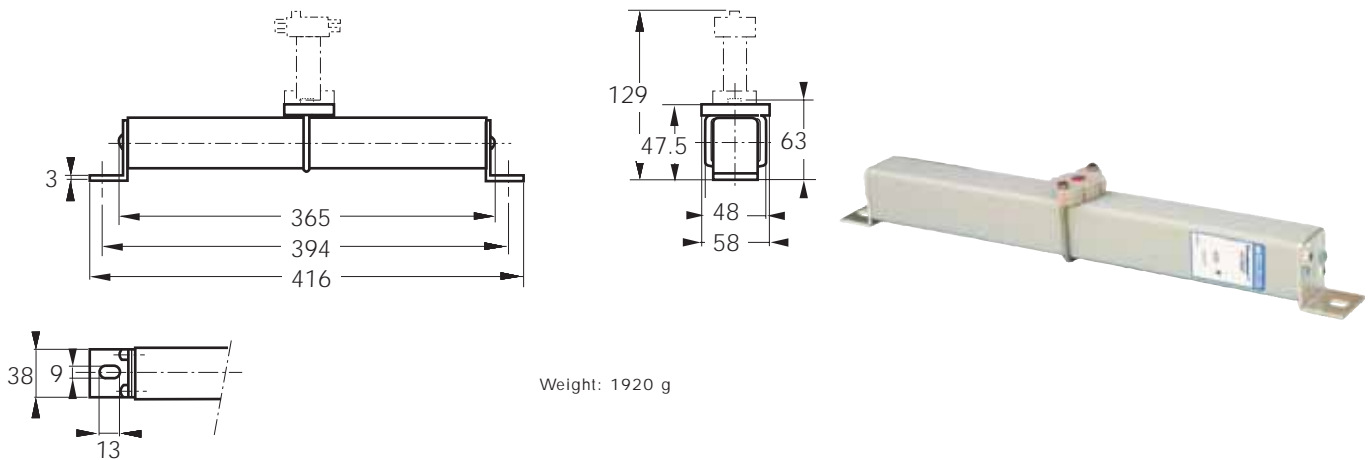


Above: Curves indicate, for each rated current, pre-arcing time vs. R.M.S. pre-arcing current

DC Square-body Fuses Sizes 600 - 602 - 2x602 SR Brackets size 600 - 3500 to 4200 V DC

4000-4200 V DC
 SRE from 40 to 150 A

Dimensions



Main Characteristics

Size	Current rating I_N (A)	Breaking Capacity	Watts loss		Max. I^2t @ 3500 V		Designation	Ref. Number	Catalog Number	
			0.8 I_N (W)	I_N (W)	L/R = 15 ms (A ² S)	L/R = 45 ms (A ² S)				
600	40	@ 4000 V DC	50	100	480	850	CC 42 SRE 600 QF 0040	C079490	D600SE42C40QF	
		60 kA L/R = 25 ms								
	50	@ 4200 V DC	60 kA	52	103	1050	800	CC 42 SRE 600 QF 0050	D079491	D600SE42C50QF
			63	57	114	2100	3500	CC 42 SRE 600 QF 0063	E079492	D600SE42C63QF
			80	65	128	3500	6000	CC 42 SRE 600 QF 0080	F079493	D600SE42C80QF
			100	70	140	8000	13500	CC 42 SRE 600 QF 0100	G079494	D600SE42C100QF
			125	75	147	16500	28000	CC 42 SRE 600 QF 0125	H079495	D600SE42C125QF
			150	78	155	31000	55000	CC 42 SRE 600 QF 0150	V079667	D600SE42C150QF

Microswitch MC 2R 1-5NBS Ref. Number: J310025

Pack: 1 piece



DC Square-body Fuses

Sizes 600 - 602 - 2x602

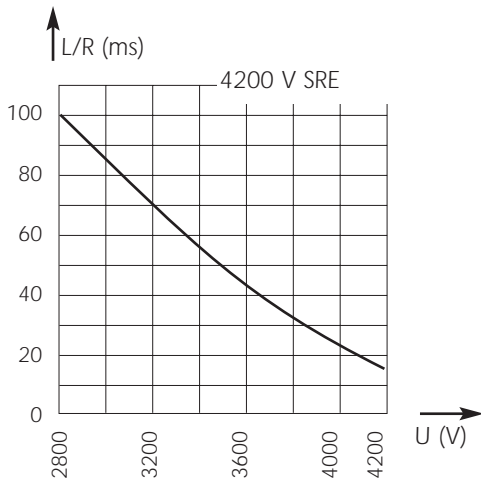
SR Brackets size 600 - 3500 to 4200 V DC

4000-4200 V DC

SRE from 40 to 150 A

Electrical characteristics

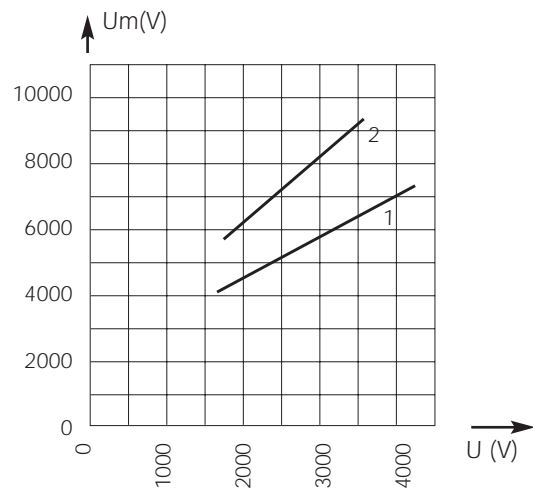
DC applications data



Above: Curve indicates maximum permissible value of time constant L/R as a function of DC working voltage

Max. AC voltage (50/60 Hz):
3800 V with breaking capacity of 50 kA

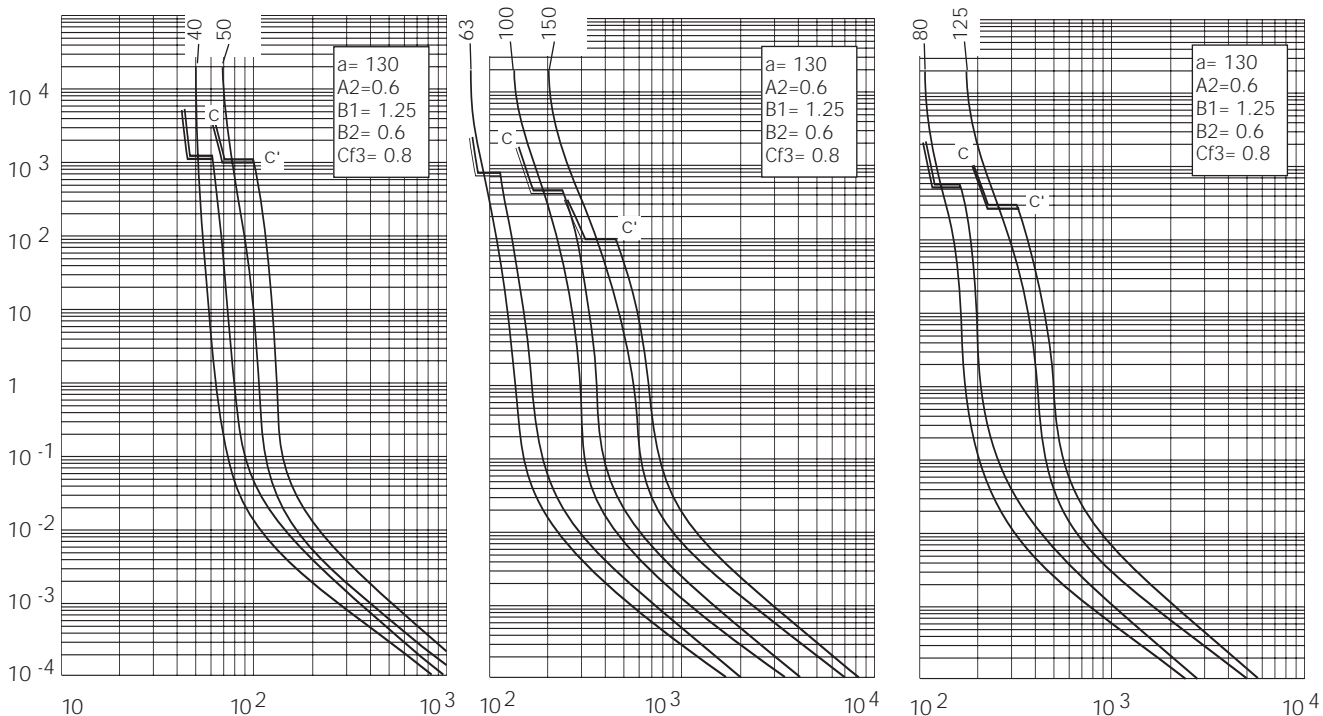
Peak arc voltage vs. working voltage



1 : L/R = 15 ms 4200 V SRE
2 : L/R = 45 ms 4200 V SRE

Above: Curves indicate for various time constants L/R the peak arc voltage which may appear across fuse terminals, vs. DC working voltage

Time vs. current characteristics

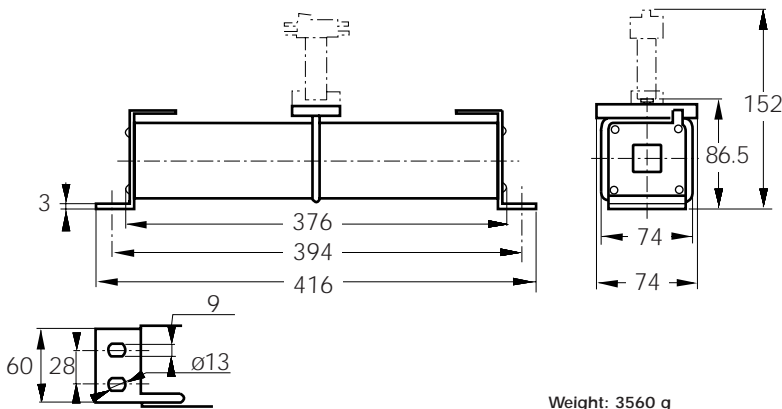


Above: Curves indicate, for each rated current, pre-arcing time vs. R.M.S. pre-arcing current

DC Square-body Fuses Sizes 600 - 602 - 2x602 SR Bracket size 602 - 4200 V DC

SRF-SRH from 200 to 375 A

Dimensions



Main Characteristics

Size	Current rating I_N (A)	Breaking capacity	Watts loss		Max. I^2t @ 3500 V		Designation	Ref. Number	Catalog Number
			$0.8 I_N$ (W)	I_N (W)	L/R = 15 ms (A ² S)	L/R = 45 ms (A ² S)			
602	200	@ 4200 V DC	119	228	45000	80000	CC 42 SRF 602 QF 0200	J079496	D602SF42C200QF
	250	60 kA	122	232	100000	180000	CC 42 SRF 602 QF 0250	K079497	D602SF42C250QF
	315	L/R = 15 ms	128	245	220000	375000	CC 42 SRF 602 QF 0315	L079498	D602SF42C315QF
	375		147	280	195000	325000	CC 42 SRH 602 QF 0375	H076643	D602SH42C375QF

Pack: 1 piece

Microswitch MC 2R 3E 1-5NBS Ref. Number: J310025

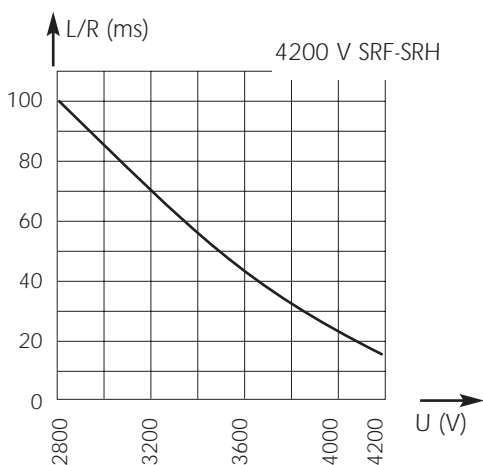


DC Square-body Fuses Sizes 600 - 602 - 2x602 SR Bracket size 602 - 4200 V DC

SRF-SRH from 200 to 375 A

Electrical characteristics

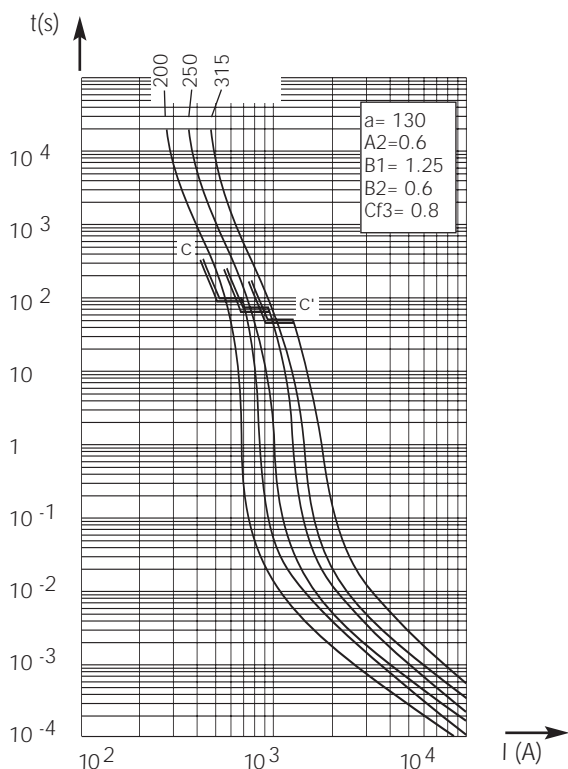
DC applications data



Above: Curve indicates maximum permissible value of time constant L/R as a function of DC working voltage

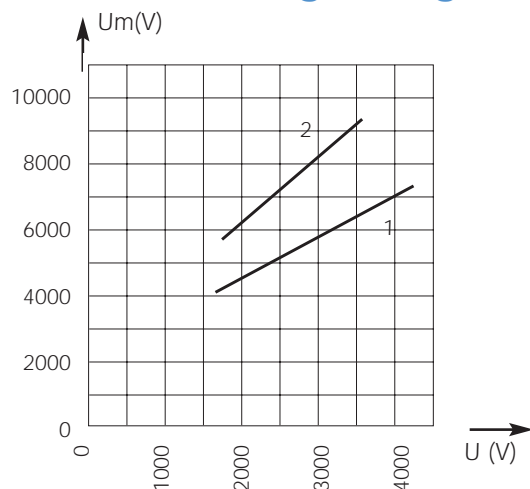
Max. AC voltage (50/60 Hz):
 3,800 V with breaking capacity of 50 kA

Time vs. current characteristics



Above: Curves indicate, for each rated current, pre-arcing time vs. R.M.S. pre-arcing current

Peak arc voltage vs. working voltage



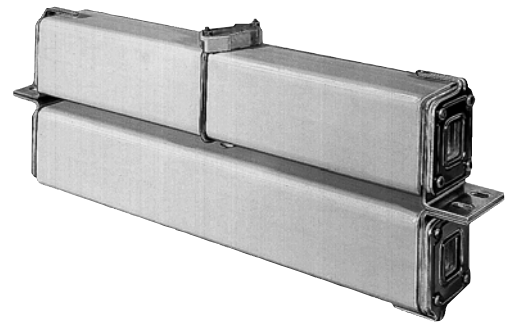
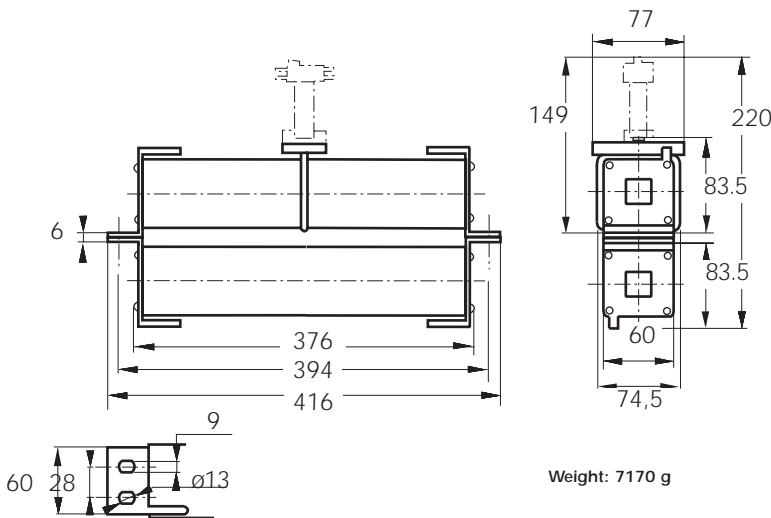
1 : L/R = 15 ms 4200 V SRF-SRH
 2 : L/R = 45 ms 4200 V SRF-SRH

Above: Curves indicate for various time constants L/R the peak arc voltage which may appear across fuse terminals, vs. DC working voltage

DC Square-body Fuses Sizes 600 - 602 - 2x602 SR Brackets size 2x602 - 4200 V DC

SRF-SRH from 400 to 750 A

Dimensions



Main Characteristics

Size	Current rating I_N (A)	Breaking capacity	Watts loss		Max. I^2t @ 3500 V		Designation	Ref. Number	Catalog Number
			$0.8 I_N$ (W)	I_N (W)	L/R = 15 ms (A ² S)	L/R = 45 ms (A ² S)			
2x602	400	@ 4200 V DC	250	480	180000	320000	CC 42 SRF 2602 QF 400	M079499	D2602SF42C400QF
	500	60 kA	256	487	400000	720000	CC 42 SRF 2602 QF 500	N079500	D2602SF42C500QF
	630	L/R = 15 ms	270	515	880000	1500000	CC 42 SRF 2602 QF 630	H079541	D2602SF42C630QF
	750		310	590	780000	1300000	CC 42 SRH 2602 QF 750	N078143	D2602SH42C750QF

Pack: 1 piece

Microswitch MC 2R 3E 1-5NBS Ref. Number: J310025

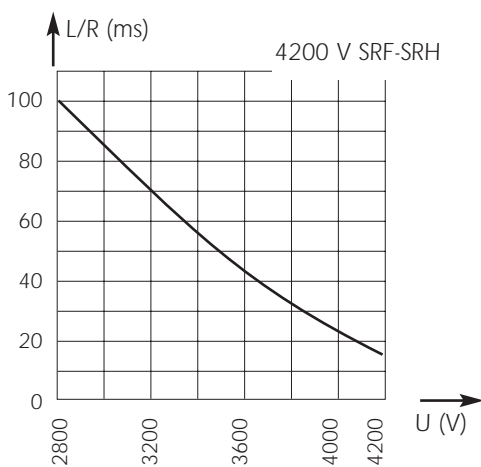


DC Square-body Fuses Sizes 600 - 602 - 2x602 SR Brackets size 602 - 4200 V DC

SRF-SRH from 400 to 750 A
 Size 2x602

Electrical characteristics

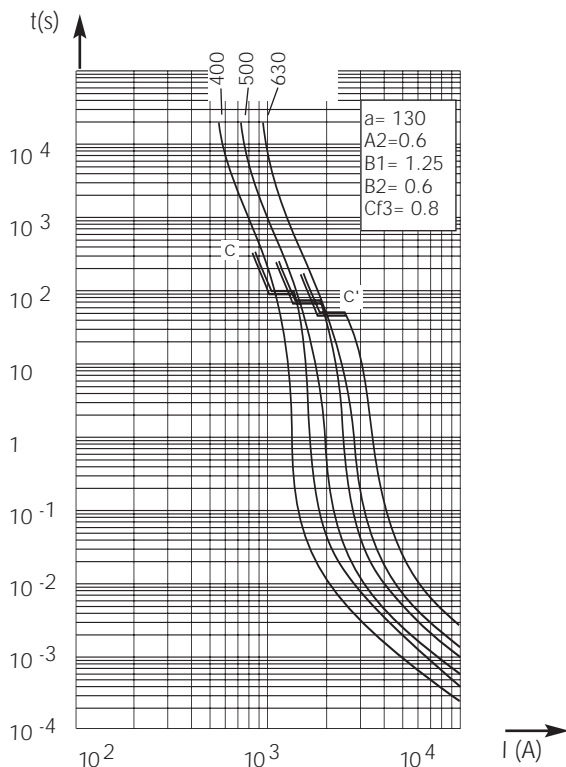
DC applications data



Above: Curve indicates maximum permissible value of time constant L/R as a function of DC working voltage

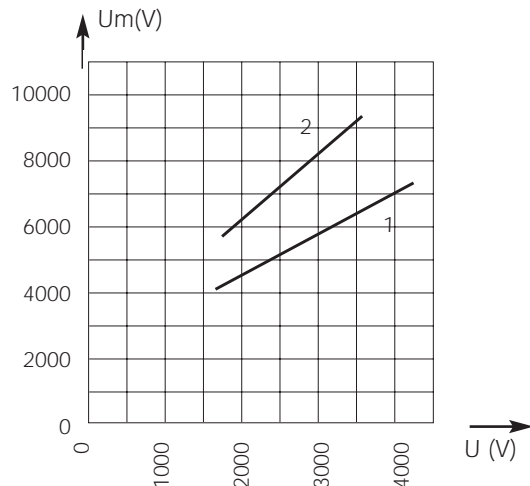
Max. AC voltage (50/60 Hz):
 3,800 V with breaking capacity of 50 kA

Time vs. current characteristics



Above: Curves indicate, for each rated current, pre-arcing time vs. R.M.S. pre-arcing current

Peak arc voltage vs. working voltage



1 : L/R = 15 ms 4200 V SRF-SRH
 2 : L/R = 45 ms 4200 V SRF-SRH

Above: Curves indicate for various time constants L/R the peak arc voltage which may appear across fuse terminals, vs. DC working voltage