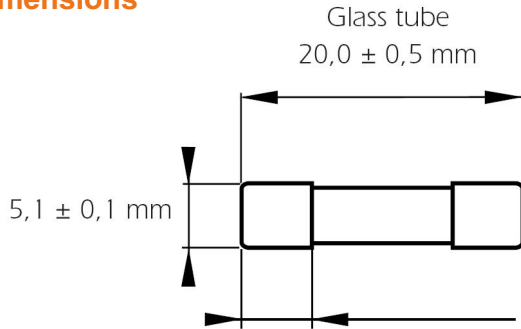


Miniature Fuses

Convenience Fuses 5x20
5SM Medium Time Lag
250VAC from 0.032 to 16A



Dimensions



Product weight: 1.2g max.
Packaging: 10 boxes x 10 fuses.

Size	Catalog Number	Reference Number	Rated Voltage (V)	Nominal Current (A)	Breaking capacity under 250V (A)
5x20	MI5SM25V0.032	D218158	250	0.032	80
5x20	MI5SM25V0.04	Q218675	250	0.04	80
5x20	MI5SM25V0.05	D219193	250	0.05	80
5x20	MI5SM25V0.063	H219726	250	0.063	80
5x20	MI5SM25V0.08	Q222171	250	0.08	80
5x20	MI5SM25V0.1	K222925	250	0.1	80
5x20	MI5SM25V0.125	T200715	250	0.125	80
5x20	MI5SM25V0.16	H201257	250	0.16	80
5x20	MI5SM25V0.2	T201773	250	0.2	80
5x20	MI5SM25V0.25	K207147	250	0.25	80
5x20	MI5SM25V0.315	J211516	250	0.315	80
5x20	MI5SM25V0.4	N212026	250	0.4	80
5x20	MI5SM25V0.5	F212548	250	0.5	80
5x20	MI5SM25V0.63	R213064	250	0.63	80
5x20	MI5SM25V0.8	M213566	250	0.8	80
5x20	MI5SM25V1	L214071	250	1	80
5x20	MI5SM25V1.25	T214584	250	1.25	80
5x20	MI5SM25V1.6	A215096	250	1.6	80
5x20	MI5SM25V2	A215602	250	2	80
5x20	MI5SM25V2.5	H216115	250	2.5	80
5x20	MI5SM25V3.15	E216618	250	3.15	80
5x20	MI5SM25V4	R217135	250	4	300
5x20	MI5SM25V5	E218159	250	5	300
5x20	MI5SM25V6.3	R218676	250	6.3	300
5x20	MI5SM25V8	E219194	250	8	300
5x20	MI5SM25V10	J219727	250	10	300
5x20	MI5SM25V16	R222172	250	16	300

Fuses without approval.

Miniature Fuses

Convenience Fuses 5x20
5SM Medium Time Lag
250VAC from 0.032 to 16A



Melting Time Limits

Nominal current	210% x I _n	400% x I _n	1000% x I _n
From 0.32mA to 1.25A	10min maxi	40ms mini 2s maxi	5ms mini 90ms maxi
From 1.6A to 16A	30min maxi	40ms mini 2s maxi	5ms mini 90ms maxi

Time Current Curve

