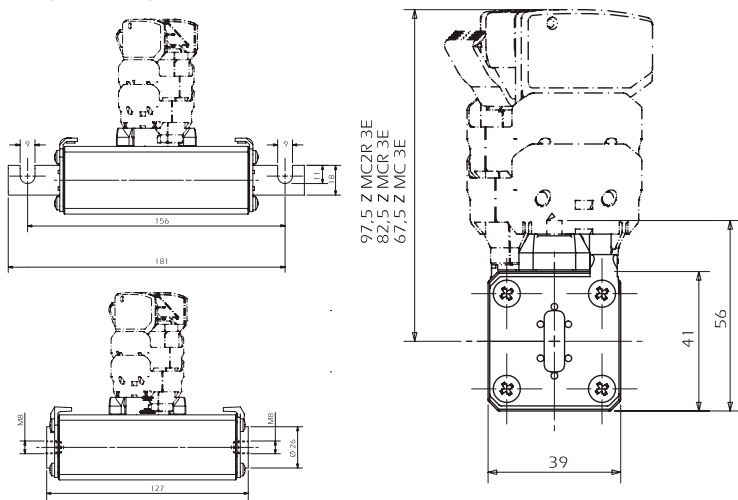


Bezpieczniki 12x Protistor® DC

750V DC
od 50 do 160A

Typ: 120 gR

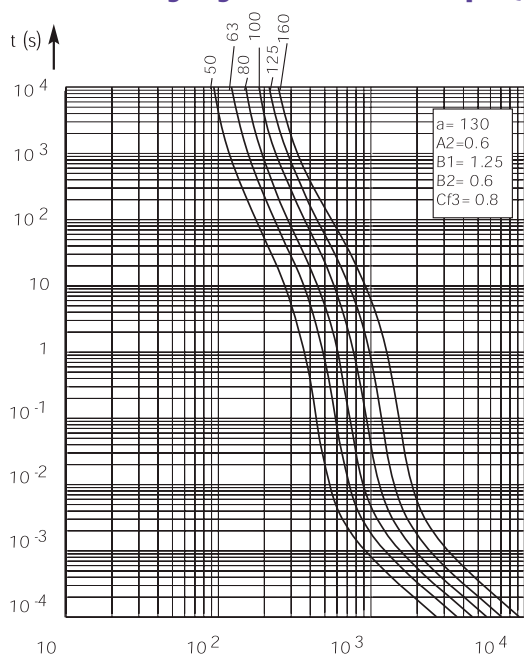
Wymiary



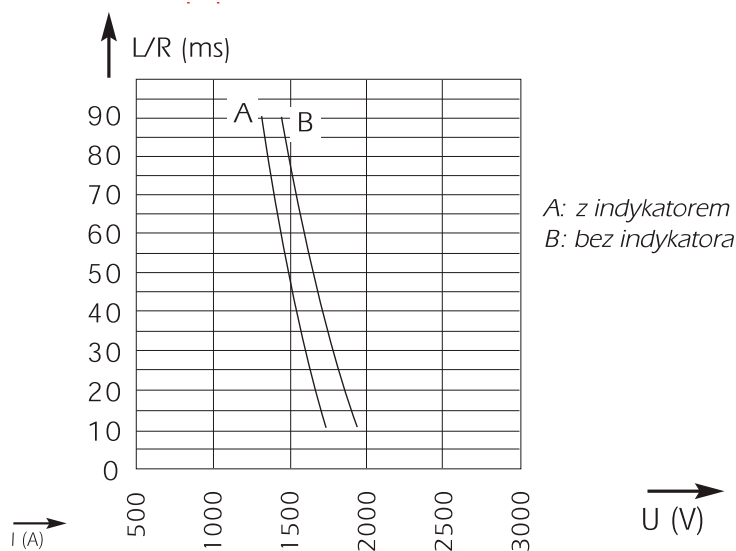
Charakterystyka

Rozmiar	Prąd A	Zdolność wyłączeniowa	Strata mocy 0,8 I _n I _n		Maks. I ² t @ 900V=L/R 40 ms IP=10 I _n IP=50 I _n		Numer referencyjny	Numer katalogowy
			W	W	A ² S	A ² S		
120	50	@ 750V= 100kA L/R = 100 ms	4.4	8.1	42500	8500	Y084776	D120GC75V50EF
	63		5.7	10.4	75500	15000	R085207	D120GC75V63EF
	80		7.3	13.4	125000	24500	Q085206	D120GC75V80EF
	100		9.1	16.7	200000	40000	P085205	D120GC75V100EF
	125		11.5	21	315000	62500	R086242	D120GC75V125EF
	160		15	27	485000	100000	N085204	D120GC75V160EF
	50	@ 900V= 100kA L/R = 40 ms	4.4	8.1	42500	8500	B220824	D120GC75V50TF
	63		5.7	10.4	75500	15000	Q082400	D120GC75V63TF
	80		7.3	13.4	125000	24500	Z090435	D120GC75V80TF
	100		9.1	16.7	200000	40000	R082401	D120GC75V100TF
	125		11.5	21	315000	62500	P085251	D120GC75V125TF
	160		15	27	485000	100000	R085253	D120GC75V160TF

Charakterystyki czasowo - prądowe



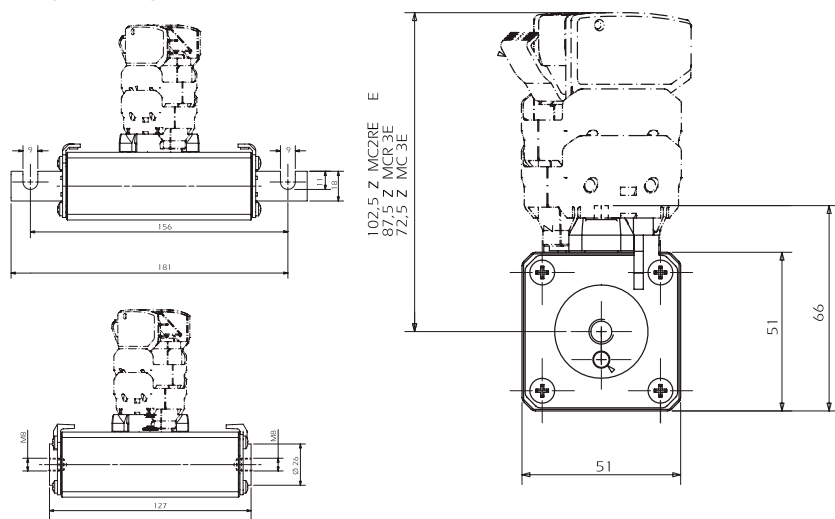
Charakterystyka elektryczna



Typ: 121 - 123 gR

750V DC
od 200 do 800A

Wymiary



Charakterystyka

Rozmiar	Prąd A	Zdolność wyłączeniowa	Strata mocy		Maks. I ² t		Numer referencyjny	Numer katalogowy
			0,8 I _n	1 I _n	@ 900V=L/R 40 ms IP=10 I _n	IP=50 I _n		
121	200	@750V DC 100 kA L/R = 100 ms	20.5	37.5	755000	150000	A086710	D121GC75V200EF
	250		25.5	46.7	1250000	250000	M085203	D121GC75V250EF
	200	@ 900V DC 100 kA L/R = 40 ms	20.5	37.5	755000	150000	N085250	D121GC75V200TF
	250		25.5	46.7	1250000	250000	O085252	D121GC75V250TF
122	250	@750V DC 100 kA L/R = 100 ms	25.5	46.7	1.25 10 ⁶	250,000	A087331	D122GC75V250EF
	315		31.5	58	2 10 ⁶	400,000	B087332	D122GC75V315EF
	350		35	64.5	2.5 10 ⁶	500,000	W221141	D122GC75V350EF
	400		40.5	74.5	3.1 10 ⁶	600,000	L089388	D122GC75V400EF
	450		49	90	4 10 ⁶	800,000	P220951	D122GD75V450EF
	500*		52	95	6.2 10 ^{6*}	1.2 10 ^{6*}	O220952	D122GD75V500EF
	250	@ 900V DC 100 kA L/R = 40 ms	25.5	46.7	1.25 10 ⁶	250,000	B090437	D122GC75V250TF
	315		31.5	58	2 10 ⁶	400,000	M085249	D122GC75V315TF
	350		35	64.5	2.5 10 ⁶	500,000	G220898	D122GC75V350TF
	400		40.5	74.5	3.1 10 ⁶	600,000	C090438	D122GC75V400TF
450	49	90	4 10 ⁶	800,000	R220953	D122GD75V450TF		
500*	52	95	6.2 10 ^{6*}	1.2 10 ^{6*}	S220954	D122GD75V500TF		
123	500	@ 750V DC 100 kA L/R = 100 ms	51	93.5	5 10 ⁶	1 10 ⁶	M089389	D123GC75V500EF
	500	@ 900V DC 100 kA L/R = 40 ms	51	93.5	5 10 ⁶	1 10 ⁶	D090439	D123GC75V500TF
					Maks. I ² t @ 800V=L/R 40 ms IP=10 I _n IP=50 I _n			
	630	@ 750V DC 100 kA L/R = 50 ms	74		7.5 10 ⁶	1.5 10 ⁶	B098556	D123GB75V630EF
	700		82		10 10 ⁶	2 10 ⁶	Q078191	D123GB75V700EF
	750		82		10 10 ⁶	2 10 ⁶	F220943	D123GD75V750EF
	630		74		7.5 10 ⁶	1.5 10 ⁶	C098557	D123GB75V630TF
	700		82		10 10 ⁶	2 10 ⁶	F090441	D123GB75V700TF
	750		82		10 10 ⁶	2 10 ⁶	H220945	D123GB75V750TF
	800	@ 660V DC 100 kA L/R = 50 ms	90		12.5 10 ⁶	2.6 10 ⁶	G220944	D123GB66V800EF
	800		90		12.5 10 ⁶	2.6 10 ⁶	J220946	D123GB66V800TF

Bezpieczniki 2x1 2x Protistor® DC

750V DC
od 500 do 1600A

Typ: 2x122, 2x123 gR

2x122



2x123



Charakterystyka

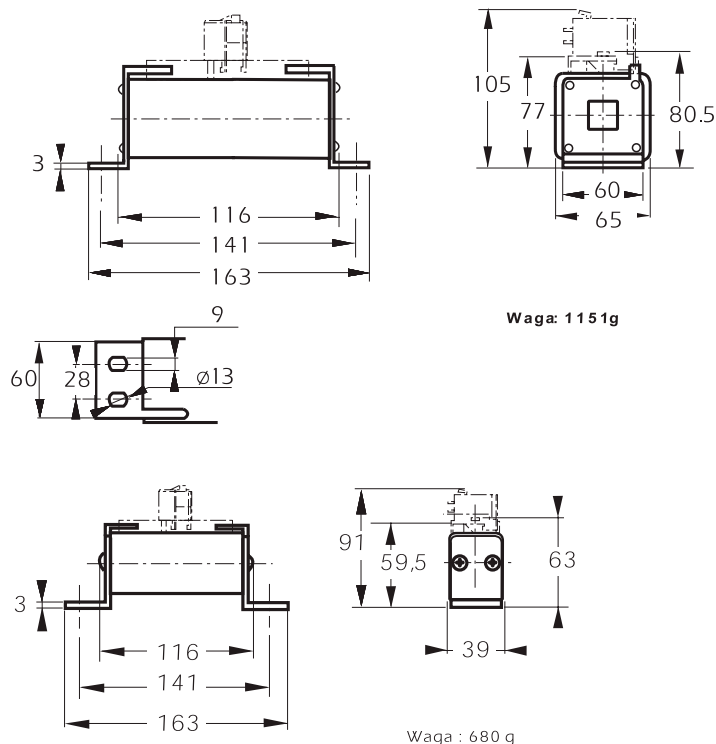
Rozmiar	Prąd A	Zdolność wyłączeniowa	Strata mocy		Maks. I ² t		Numer referencyjny
			0,8 I _N	1 I _N	@ 900V=L/R 40 ms IP=10 I _N	IP=50 I _N	
2x122	500	@ 900V DC 100 kA L/R = 40 ms	51	94	5 · 10 ⁶	1 · 10 ⁶	Q 090473
	630		63	116	8 · 10 ⁶	1.6 · 10 ⁶	R 090474
	800		81	149	12.4 · 10 ⁶	2.4 · 10 ⁶	S 090475
900	98		180	16 · 10 ⁶	3.2 · 10 ⁶	T 220955	
	1000*	@ 750V DC 100 kA L/R = 100 ms	104	190	25 · 10 ⁶ *	4.8 · 10 ⁶ *	V 220956
2x123	1000	@ 750V DC 100 kA L/R = 100 ms	102	187	20 · 10 ⁶	4 · 10 ⁶	Z 090481
		@ 900V DC 100 kA L/R = 40 ms					
					Maks. I ² t @ 800V=L/R 40 ms IP=10 I _N IP=50 I _N		
	1250	@ 750V DC 100 kA	148		30 · 10 ⁶	6 · 10 ⁶	D 098558
	1400	100 kA	164		40 · 10 ⁶	8 · 10 ⁶	B 090483
	1500	L/R = 50 ms	164		40 · 10 ⁶	8 · 10 ⁶	K 220947
			74 82 82		Maks. I ² t @ 660V=L/R 40 ms IP=10 I _N IP=50 I _N		
1600	@ 660V DC 100 kA	180		48.6 · 10 ⁶	10 · 10 ⁶	L 220948	

* Max I²t @ 800V = 750VDC 100 kA L/R = 50 ms i zdolność wyłączeniowa @750VDC 100 kA L/R = 50 ms
Opakowanie: 1 szt

Typ: SR 70, 72, 2x72

1200V DC
od 20 do 840A

Wymiary 70, 72



Charakterystyka

Rozmiar	Prąd A	Zdolność wyłączeniowa @ 1200V DC 100 kA L/R = 15 ms	Strata mocy		Maks. Pt @ 1000V		Numer referencyjny
			0,8 I _n	I _n	L/R 15 ms	L/R 45 ms	
			W	W	A²S	A²S	
70	20	@ 1200V DC 100 kA L/R = 15 ms	4.5	10	180	310	C076638
	25		7	15.5	180	310	S079435
	32		8.5	18.5	350	610	T079436
	40		10	22	580	1000	V079437
	50		12	26	1030	1800	W079438
	63		15	33	1600	2800	X079439
	80		18.5	37.5	3100	5400	Y079440
	100		21.5	44.5	5800	10000	Z079441
	125		28	54	9200	16000	A079442
	160		34	64	19200	33200	B079443
	200		35	65.5	45000	78500	C079444
215	46	89	55000	95000	D079445		
72	160	@ 1200V DC 100 kA L/R = 15 ms	41	77.5	12000	20000	K079428
	200		48	88	21000	36000	L079429
	250		57	96	45500	78500	M079430
	315		60	110	90000	154000	N079431
	400		66	129	182000	314000	P079432
	420		67	131	220000	380000	Q079433
2x72	500	@ 1200V DC 100 kA L/R = 15 ms	120	202	182000	314000	P077983
	630		126	230	360000	616000	F079447
	800		139	270	728000	1.25 10 ⁶	G079448
	840		142	275	880000	1.53 10 ⁶	H079449

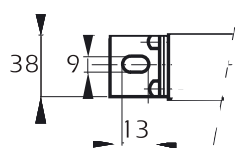
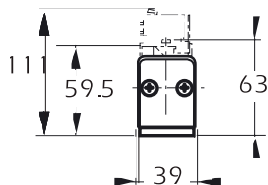
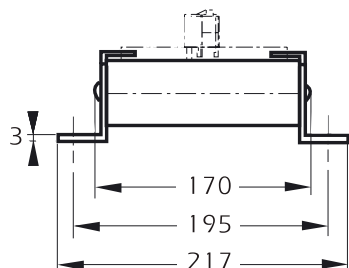
Opakowanie: 1 szt.

Bezpieczniki 12x, 2x122 Protistor® DC

1800 - 2000V DC
od 20 do 800A

Typ: 120 - 122, 2x122 SR

Wymiary



Waga : 900 g



Charakterystyka

Rozmiar	Prąd A	Zdolność wyłączeniowa	Strata mocy		Maks. I ² t @ 1600V		Numer referencyjny
			0,8 I _n	1 I _n	L/R 15 ms	L/R 45 ms	
			W	W	A ² S	A ² S	
120	20	@ 2000V= 100 kA L/R = 15 ms	8	16	180	310	J079450
	25		12.5	25	180	310	K079451
	32		14.5	29.5	350	610	L079452
	40		17.5	36	580	1000	M079453
	50		20.5	42	1030	1800	N079454
	63		26	53.5	1600	2800	P079455
	80		30	61.5	3100	5400	Q079456
	100		35	70.5	5800	10000	R079457
	125		43	87.5	9200	16000	S079458
	160		49	99	19200	33200	T079459
	200		49.5	101	45000	78500	V079460
215	52	106	55000	95000	W079461		
122	60	@ 1800V DC 100 kA	52.5	100	15000	25000	D076639
	200	L/R = 30 ms	61.5	118	26000	44000	X079462
	250	@ 2000V DC	69	131	50000	87000	Y079463
	315	100k A	74	150	117000	200000	Z079464
	400	L/R = 15 ms @ 1800V DC	87	175	219000	380000	A079465
2x122	500	100 kA L/R = 30 ms	145	274	200000	348000	E076640
	630	@ 2000V DC 100k A	155	314	468000	800000	F076641
	800	L/R = 15 ms	182	367	876000	1520000	V096066

Opakowanie: 1 szt