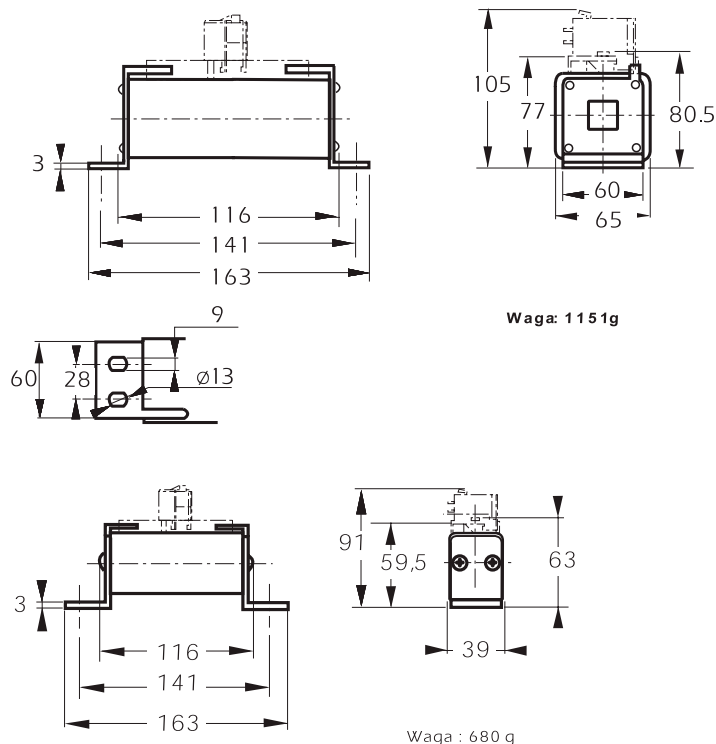


Typ: SR 70, 72, 2x72

1200V DC
od 20 do 840A

Wymiary 70, 72



Charakterystyka

Rozmiar	Prąd A	Zdolność wyłączeniowa @ 1200V DC 100 kA L/R = 15 ms	Strata mocy		Maks. Pt @ 1000V		Numer referencyjny
			0,8 I _n	I _n	L/R 15 ms	L/R 45 ms	
			W	W	A²S	A²S	
70	20	@ 1200V DC 100 kA L/R = 15 ms	4.5	10	180	310	C076638
	25		7	15.5	180	310	S079435
	32		8.5	18.5	350	610	T079436
	40		10	22	580	1000	V079437
	50		12	26	1030	1800	W079438
	63		15	33	1600	2800	X079439
	80		18.5	37.5	3100	5400	Y079440
	100		21.5	44.5	5800	10000	Z079441
	125		28	54	9200	16000	A079442
	160		34	64	19200	33200	B079443
	200		35	65.5	45000	78500	C079444
215	46	89	55000	95000	D079445		
72	160	@ 1200V DC 100 kA L/R = 15 ms	41	77.5	12000	20000	K079428
	200		48	88	21000	36000	L079429
	250		57	96	45500	78500	M079430
	315		60	110	90000	154000	N079431
	400		66	129	182000	314000	P079432
	420		67	131	220000	380000	Q079433
2x72	500	@ 1200V DC 100 kA L/R = 15 ms	120	202	182000	314000	P077983
	630		126	230	360000	616000	F079447
	800		139	270	728000	1.25 10 ⁶	G079448
	840		142	275	880000	1.53 10 ⁶	H079449

Opakowanie: 1 szt.