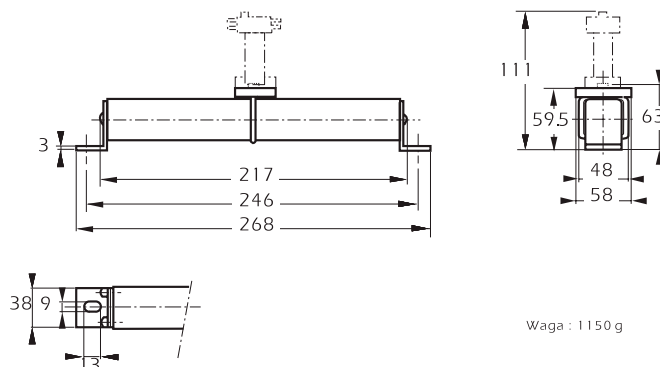


Typ: gR 300, 302, 2x302

1750 - 2000V DC
od 6 do 560A



Charakterystyka

Rozmiar	Prąd A	Zdolność wyłączeniowa	Strata mocy		Numer referencyjny
			0,8 I _n W	1 I _n W	
300	6	@ 1750V DC 30 kA L/R = 30 ms	3.4	6	P083733
	8		4.4	8	Q083734
	10		5.8	10.6	M089435
	12		6	11	R087898
	16		6.7	12	N089436
	20	@ 2000V DC 30 kA L/R = 30 ms	7.9	14	R086932
	25		10	18	S086933
	32		13.5	24	T086934
	40		16	29	V086935
	50		19	34	W086936
	63		23.5	42.5	X086937
	80		28.5	51.5	Y086938
	80		@ 2000V DC 30 kA L/R = 14 ms	22	40
	100	@ 1800V=	28	50	Q075753
	125	100 kA L/R = 20 ms	30	55	R075754
300	10	@ 1750V DC 30 kA L/R = 30 ms	5.8	10.6	Y088870
	12	6	11	X081026	
	16	6.7	12	L086996	
	20	@ 2000V DC 30 kA L/R = 30 ms	7.9	14	K086995
	25		10	18	Q081894
	32		13.5	24	J086994
	40		16	29	M086997
	50		19	34	G086992
	63		23.5	42.5	F086991
	80		28.5	51.5	E086990
302	100		@ 2000V DC 30 kA L/R = 14 ms	30	58.5
	125	37		72	P086930
	160	47.5		93	Q086931
	160	42		70	S075755
	200	@ 1800V DC 100 kA L/R = 20 ms	48	80	T075756
	250		57	95	V075757
	280		60	100	W075758
	2x302		200	@ 2000V DC 30 kA L/R = 30 ms	60
250		74	144	C079904	
315		@ 2000V DC 30 kA L/R = 14 ms	84	140	X075759
400		96	160	Y075760	
500		@ 1800V DC 100 kA L/R = 20 ms	115	190	Z075761
560	120	200	A075762		

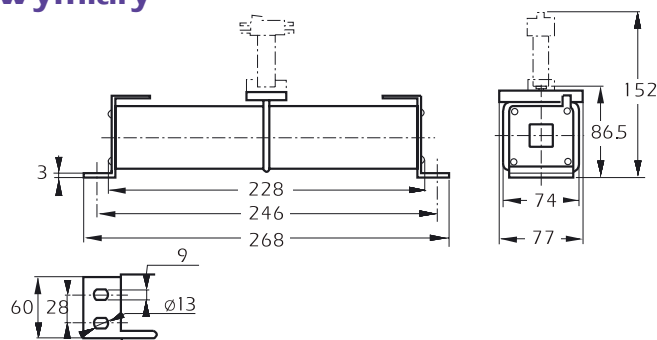
Opakowanie: 1 szt

Bezpieczniki 30x, 2x302 Protistor® DC

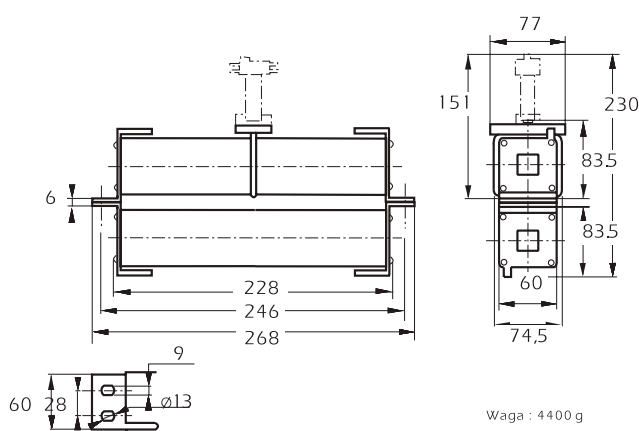
**2000 - 2400V DC
od 20 do 800A**

Typ: 300, 302, 2x302 SR

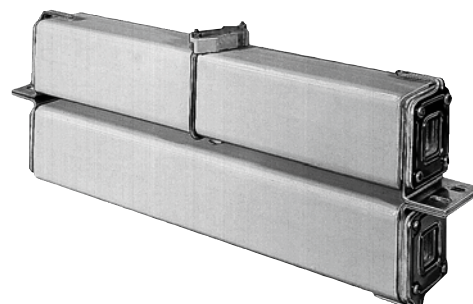
Wymiary



Waga : 1830 g



Waga : 4400 g



Charakterystyka

Rozmiar	Prąd A	Zdolność wyłączeniowa @ 2400V DC 100 kA L/R = 15 ms	Strata mocy 0,8 I _n I _n		Maks. I ² t @ 2000V L/R 15 ms L/R 45 ms		Numer referencyjny
			W	W	A ² S	A ² S	
300	20	@ 2400V DC 100 kA L/R = 15 ms	18	36	150	260	X075299
	25		21	42	260	460	W075298
	32		22	43	310	540	G079471
	40		26	51	530	920	H079472
	50		32	62	750	1300	J079473
	63	35	69	1650	2900	K079474	
	80	38	75	3700	6500	L079475	
	100	@ 2000V DC 100 kA L/R = 45 ms	41	80	8000	14000	M079476
	125		49	95	14000	25000	N079477
160	50		96	34000	60000	P079478	
180	51		98	57000	100000	Q079479	
302	160	@ 2400V DC 100 kA L/R = 15 ms	71	142	18,500	32,000	J076644
	200		76	149	38,000	66,000	R079480
	250		90	179	68,000	120,000	S079481
	315	94	186	150,000	250,000	T079482	
	350	@ 2000V DC 100 kA L/R = 45 ms	95	187	230,000	400,000	V079483
	400		96	188	195,000	325,000	V075297
2x302	400	@ 2400V DC 100 kA L/R = 15 ms	160	313	155,000	265,000	K084925
	500		189	376	275,000	480,000	L084926
	630		197	390	600,000	10 ⁶	M084927
	700	@ 2000V DC 100 kA L/R = 45 ms	200	393	920,000	1.6 10 ⁶	N084928
	800		205	395	780,000	1.3 10 ⁶	T075296

Opakowanie: 1 szt