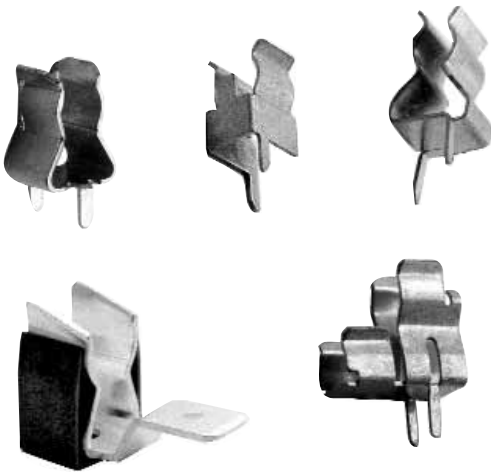




Gears & Fuse Gears

Miniature Fuses Clips MR



5x20 and 6x32 Fuse sizes

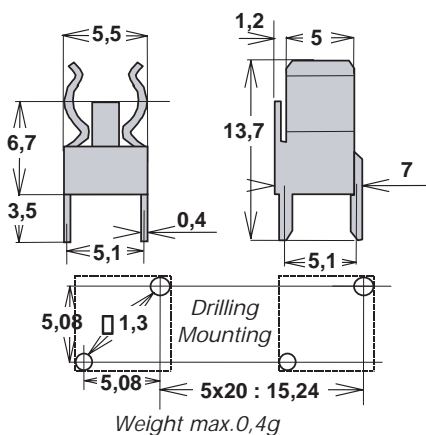
- CLIPS FOR PRINTED CIRCUIT BOARD OR SCREW MOUNTING
- RATED CURRENT BELOW 30A* DEPENDING ON TYPE

Main Characteristics

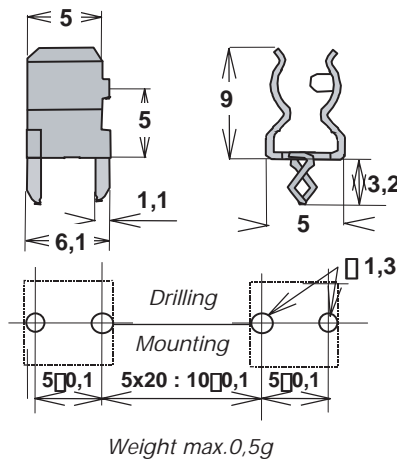
Size	Rated Current A	Power acceptance W 23°C	End Stops	Monting	Material	Designation	Reference Number	in box of 1000pcs	blister of 50pcs	Catalog Number
5x20	6,3*	1,6	Yes	Printed circuitboard	Brass, Tin plated	MR 5 CI.SP	W202074	Yes	Yes	MIMR5CISP
5x20	6,3*	2	Yes	Printed circuitboard	Brass, Tin plated	MR 5 CI-S	J210550	Yes	Yes	MIMR5CI-S
5x20	6,3*	2,5	Yes	Printed circuitboard	Bronze, Tin plated	MR 5 CI-C	K210551	Yes	Yes	MIMR5CI-C
5x20 & 6x32	6,3*	1,6	No	Printed circuitboard	Brass, Nickel plated	MR 5-6	Y098967	Yes	Yes	MIMR5-6
5x20 & 6x32	6,3*	1,6	Yes	Printed circuitboard	Brass, Tin plated	MR 5-6.SP	C204955	No	Yes	MIMR5-6SP
6x32	10*	2,5	Yes	Printed circuitboard	Bronze, Tin plated	MR 6 CI-S	H210549	Yes	Yes	MIMR6CIS
6x32	30*	3,5	No	Screw mounting 6,3mm slip-on connector tags	Silver plated copper + stainless steel spring	MR 6 VI	K091480	No	Yes	MIMR6VI

* Depends on fuse cover number for 5x20. L210552P

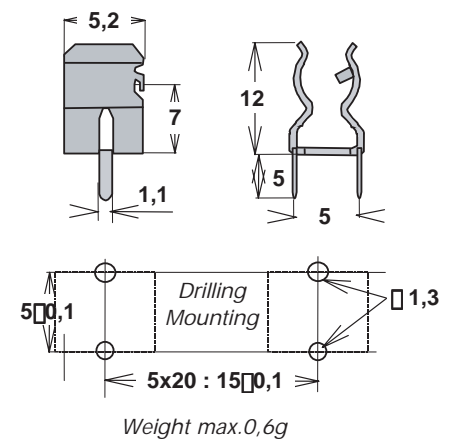
MR 5 CI.SP:



MR 5 CI.S:



MR 5 CI.C:



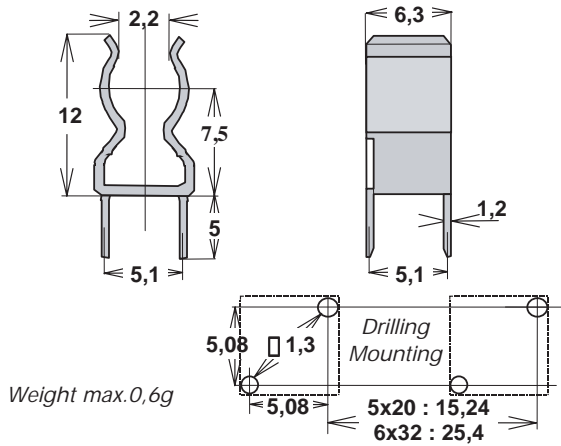
Gears & Fuse Gears



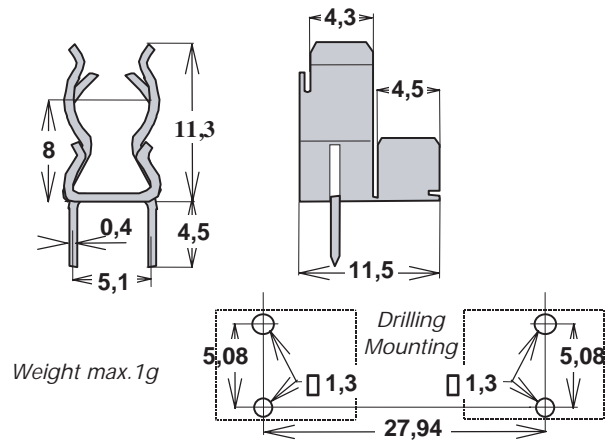
Miniature Fuses Clips MR

5x20 and 6x32 Fuse sizes

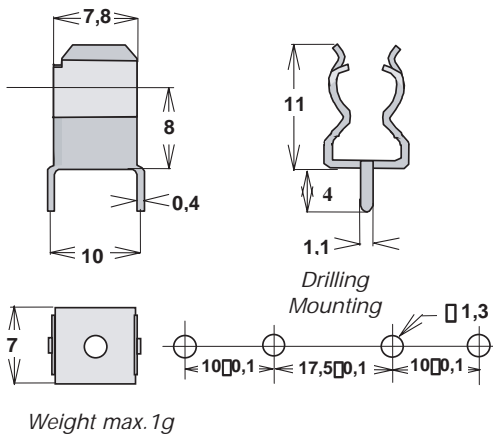
MR 5 - 6:



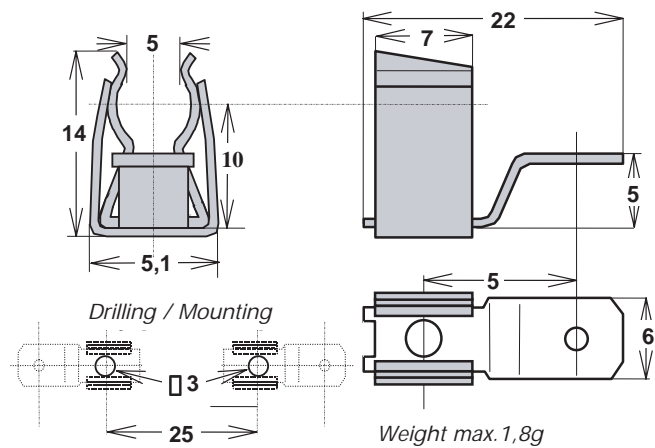
MR 5 - 6 SP:



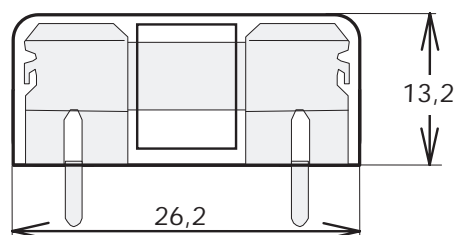
MR 6 CI - S:



MR 6 VI:



CPT 5x20 FOR MR5CI-C & MR5-6:





Gears & Fuse Gears

Miniature Fuses Clips

30A & 60A Ferrules, SDC5-SDC6



30A & 60A ferrule - fuse clips Fuse Clips for 30 & 60 Ampere Ferrule-type Fuses

Cat. Num.	Ref. Num.	Fig.	For fuse rating/size:		Mounting details	
			Amps (max.)	Ferrule dia.	Hole Size	Screw size
CO8915P	R215479	1	30	13/32"	.172" dia.	#8
CO8919P	P217524	2	30	13/32"	.196" dia.	#10
CO8916P	V215988	3	30	9/16"	.172" dia.	#8
CO8917P	R216491	4	30 or 60	13/16"	.22" x .30"	#10
CO8918P	F217010	5	60	1-1/16"	.22" x .30"	#10

All clips are UL Recognized: Guide IZLT2, File E52283
All clips are tin-plated copper alloy, non-spring reinforced.

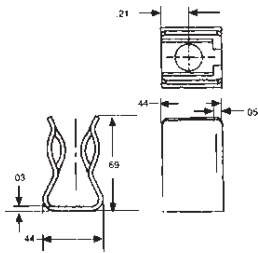


Figure 1

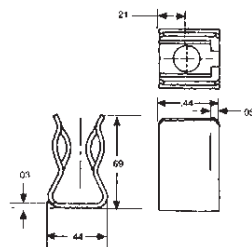


Figure 2

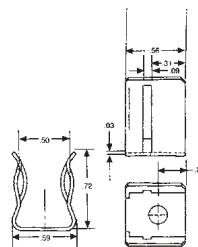


Figure 3

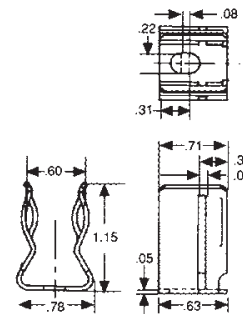


Figure 4

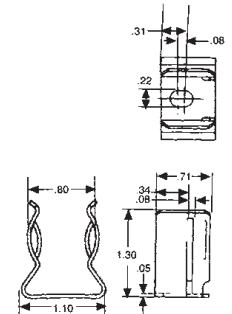
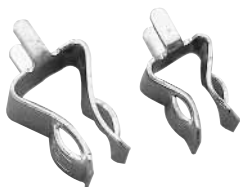
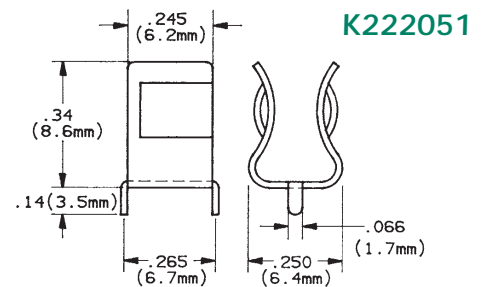


Figure 5



SDC6 PC Board clips

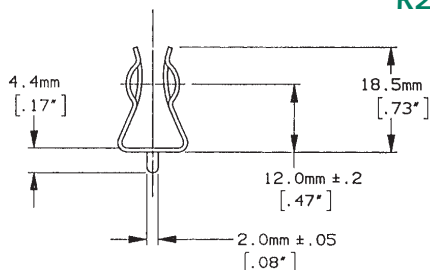
- PC board mount fuse clip
- For 1/4" diameter fuses
- Tin plated hard brass
- 15A maxi



SDC5 PC Board clips

- PC board mount fuse clip
- For 5mm diameter fuses
- Tin plated hard brass
- 10A maxi

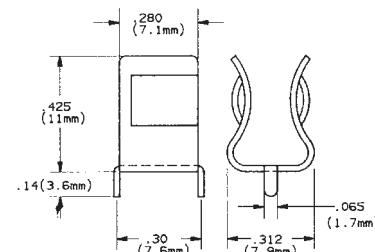
R219596



SDC7 PC Board clips

- PC board mount fuse clip
- For 13/32" (10mm) diameter fuses
- Tin plated spring brass
- 30A maxi

T222795

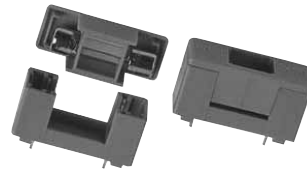




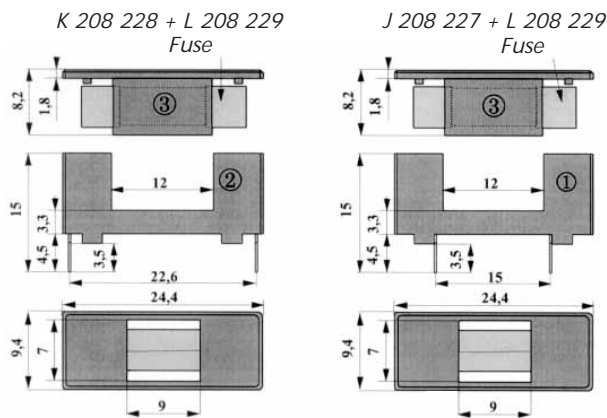
Miniature Fuses Single-Pole Fuse Blocks SI PTF



250 V AC 6,3 A
Fuse-base for 5 x 20 Fuses
SI PTF 76 - 78 and CPT BS PTF 76/78



Dimensions



Max weight : Base: ① SI PTF 76 réf.: J 208 227 - Cat N° MISIPTF76: 1,5 g – ② SI PTF 78 réf. : K 208 228 - Cat N° MISIPTF78: 1,5 g
Hood: ③ CPT BS 76/78 réf. : L 208 229 - Cat N° MICPTBSPTF76-78: 0,5 g

Main Characteristics

Electrical characteristics:

- Rated voltage: 250V.
- Power dissipation: 1,6W à 40°C.
- Rated current approved : 6,3A.
- Dielectric Strength: > 3KV, 50Hz, 1 min dry.
- Contact resistance: < 5mΩ.
- Impulse withstand voltage: > 6KV (1,2/50μs).

Mounting:

Soldering pins (According. IEC 68-2-20).

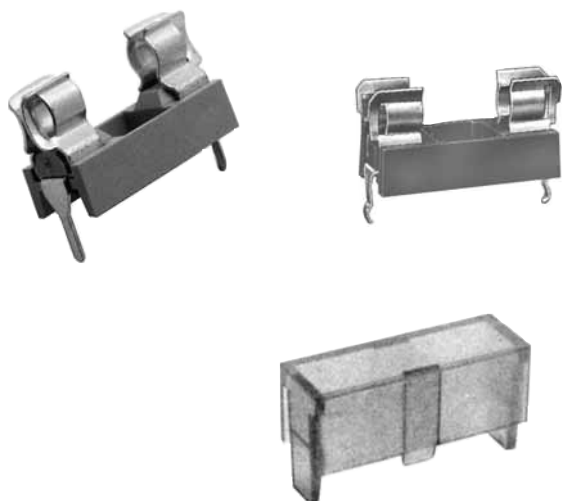
Material:

- Holder and Hood: Thermoplastic (polyamide PA6,8) UL 94 V0, Green.
- Metal parts: Copper Alloy (CuZn37H30) corrosion protected (2μm Ni + 5μm Sn).

Packaging:

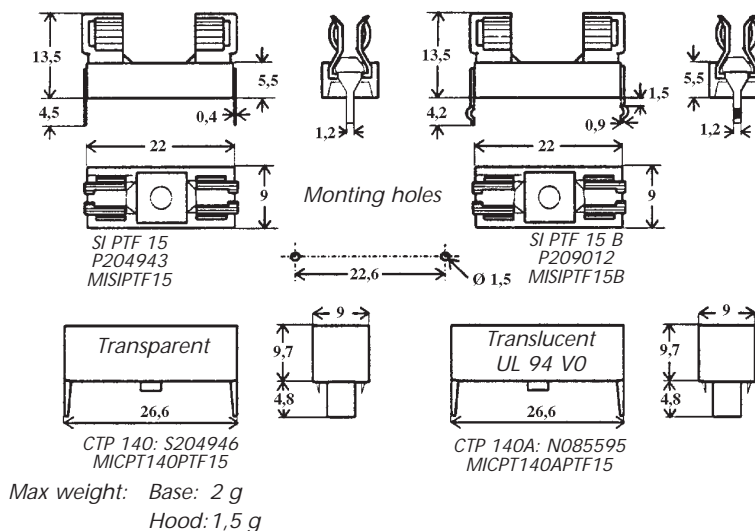
- 10 and 1000 pieces.

Miniature Fuses Single-Pole Fuse Blocks SI PTF



250 V AC 6,3 A
Fuse-base for 5 x 20 Fuses
SI PTF 15 - 15B and CPT 140-140A
Printed circuit board

Dimensions



Main Characteristics

Electrical characteristics:

- Rated voltage: 250V.
- Power dissipation: 1,6W à 40°C.
- Rated current approved : 6,3A.
- Dielectric Strength: > 3KV, 50Hz, 1 min dry.
- Contact resistance: < 5mΩ.
- Insulation resistance:> 100mΩ.

Mounting:

- Soldering pins (According. IEC 68-2-20).
- P.C.B. mounting hole: Ø 1,5mm.

Material:

- Holder: Thermoplastics (PPOM° UL 94 V1, Beige).
- Cover: Thermoplastics transparent (CPT 140 SAM) (CPT 140A PC UL 94 V0).
- Metal parts copper: Copper Alloy (CuZn37H30) corrosion (Ni+Sn).

Shock Safety:

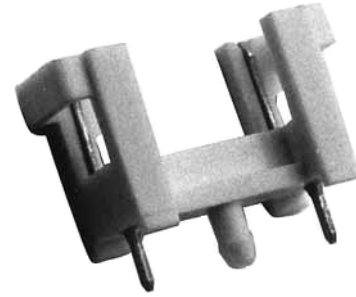
- PC1 (IEC standards 127-6).

Packaging:

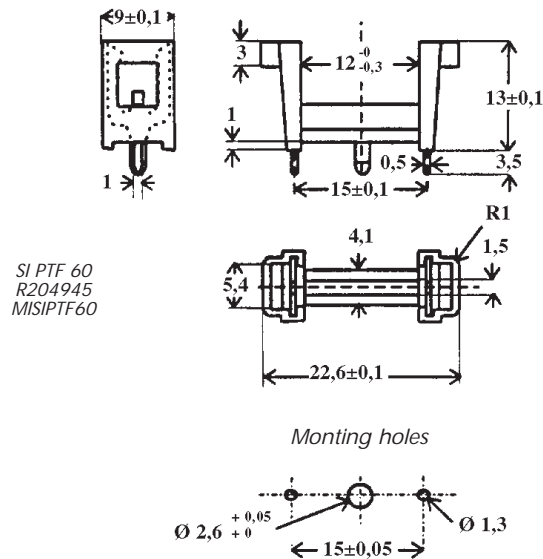
- 10 and 1000 pieces.

Miniature Fuses Single-Pole Fuse Blocks SI PTF

250 V AC 6,3 A
Fuse-base for 5 x 20 Fuses
SI PTF 60
Printed circuit board for automatic equipment



Dimensions



Max weight: 1,3 g

Main Characteristics

Electrical characteristics:

- Rated voltage: 250 V.
- Power dissipation: 1,6 W à 40° C.
- Rated current approved: 6,3A.
- Dielectric Strength: > 3 KV, 50 Hz, 1 min. dry.
- Contact resistance: < 5 mΩ.
- Insulation resistance: > 100 MΩ.

Mounting:

Soldering pins (According IEC 68-2-20). P.C.B. mounting hole : 2 x Ø 1,3 mm and 1 x Ø 2,6 mm.

Material:

- Holder: Thermoplastics (PBT) UL 94 V0, White.
- Metal parts copper : Copper Alloy (CuSn7) corrosion protected (Sn).

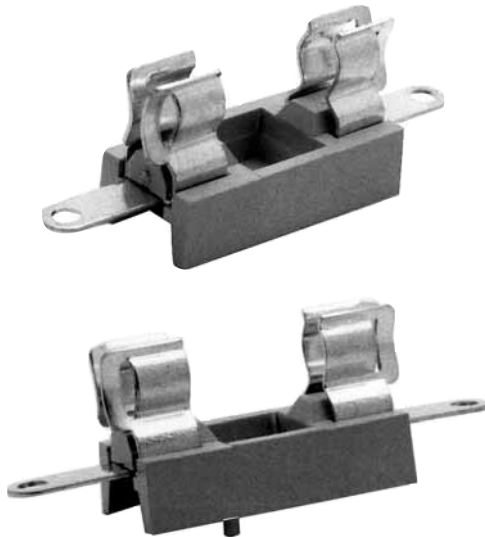
Shock Safety:

PC1 (IEC standard 127-6).

Packaging:

- 10 and 1000 pieces.

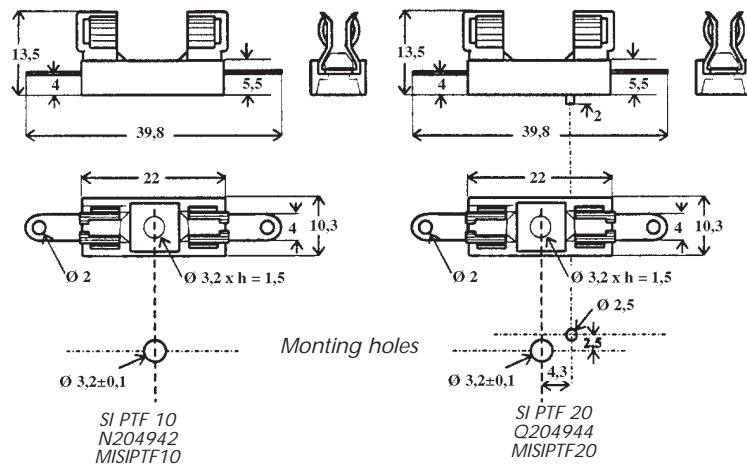
Miniature Fuses Single-Pole Fuse Blocks SI PTF



250 V AC 6,3 A
Fuse-base for 5 x 20 Fuses
SI PTF 10 - SI PTF 20
For screw mounting

Piece with anti-rotation

Dimensions



Max weight : 2,2 g

Main Characteristics

Electrical characteristics:

- Rated voltage: 250 V.
- Power dissipation: 1,6 W à 40° C.
- Rated current approved: 6,3 A.
- Dielectric Strength: > 3 KV, 50 Hz, 1 min. dry.
- Contact resistance: < 5 mΩ.
- Insulation resistance: > 100 MΩ.

Mounting:

- Screwed M3.
- Mounting hole : Ø 3,3 mm.

Material:

- Holder: Thermoplastics (PPOM) UL 94 V1, Beige.
- Metal parts: Copper Alloy (CuZn37H30) corrosion protected (Ni+Sn).

Shock Safety:

- PC1 (IEC standard 127-6).

Packaging:

- 10 and 1000 pieces.



Miniature Fuses Single-Pole Fuse Blocks Modular Bases 6x32

A low profile fuse block featuring individual barriers which reinforce the fuse clips while providing greater protection against clip damage and electrical shock. The unique design permits self-alignment of clips to fuse cap. This, plus a one-piece clip/terminal assures low contact resistance. Higher current ratings have been attained using spring brass clips. With the exception of the two-pole unit, multiple pole units may be broken apart to obtain desired number of poles.



Specifications

- Dielectric Strength: 1500V., Minimum.
- Clip/Terminals: Tin-Plated Spring Brass.
- Base: Glass reinforced Thermoplastic. (Gray except Anti-Rotation series which is Black). UL 94V0 flammability rating.
- Ambient Temperature: -40°C to +85°C.



Approvals

Recognized under the Components Program of Underwriters Laboratories and Certified by CSA up to 300V and at current ratings shown below.

Series	Current Rating	
	U.L.	CSA
6X32000	30A	30A
6X32600	20A	20A
6X32800	20A	20A
6X32900	30A	25A
6X32101	15A	15A

Electrical Specifications

Series	Terminals	Rating
6x32000	Solder	30A, 300V*
6x32600	3/16" Q.C.	20A, 300V
6x32800	1/4" Q.C.	20A, 300V
6x32900	1/4" Q.C.	30A, 300V
6x32101	P.C. Board	15A, 300V

* 30A capability is based on temperature rise with \neq 10 AWG wire property soldered.

Ordering Information:

Solder Type Terminals	CATALOG NUMBER			Solder Type Terminals	REFERENCE NUMBER			number OF POLES	REFERENCE DIMENSION "A"
	nema style 3/16" QC Terminals	nema style 1/4" QC Terminals	nema style 1/4" QC Terminals		nema style 3/16" QC Terminals	nema style 1/4" QC Terminals	nema style 1/4" QC Terminals		
6X32001	6X32601	6X32801	6X32901	L225732	B225746	Q225759	E225772	1	.50"
6X32002	6X32602	6X32802	6X32902	M225733	C225747	R225760	F225773	2	1.12"
6X32003	6X32603	6X32803	6X32903	N225734	D225748	S225761	G225774	3	1.75"
6X32004	6X32604	6X32804	6X32904	P225735	E225749	T225762	H225775	4	2.38"
6X32005	6X32605	6X32805	6X32905	Q225736	F225750	V225763	J225776	5	3.00"
6X32006	6X32606	6X32806	6X32906	R225737	G225751	W225764	K225777	6	3.63"
6X32007	6X32607	6X32807	6X32907	S225738	H225752	X225765	L225778	7	4.25"
6X32008	6X32608	6X32808	6X32908	T225739	J225753	Y225766	M225779	8	4.88"
6X32009	6X32609	6X32809	6X32909	V225740	K225754	Z225767	N225780	9	5.50"
6X32010	6X32610	6X32810	6X32910	W225741	L225755	A225768	P225781	10	6.13"
6X32011	6X32611	6X32811	6X32911	X225742	M225756	B225769	Q225782	11	6.75"
6X32012	6X32612	6X32812	6X32912	Y225743	N225757	C225770	R225783	12	7.38"
6X32021*	6X32621*	6X32821	6X32921*	Z225744*	P225758*	D225771	S225784*	1	.50"
6X32101	-	-	-	A225745	-	-	-	1	.50"

* With anti-rotation boss

Miniature Fuses Single-Pole Fuse Blocks 5X20QC1, 6X32QC1



Recommended Fuse Usage

5X20QC1 use with GGM, GGA, GSA, GSB, GDG

6X32QC1 use with GSA, GDL, GGC, GAB

5X20QC1 (Ref. Number: Z219603)

SINGLE-POLE FUSE BLOCK for 5mm x 20mm fuses

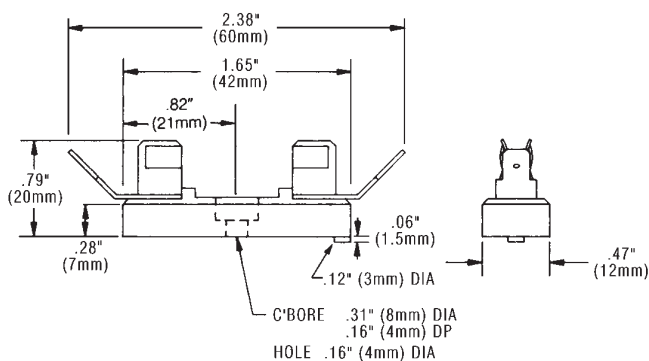
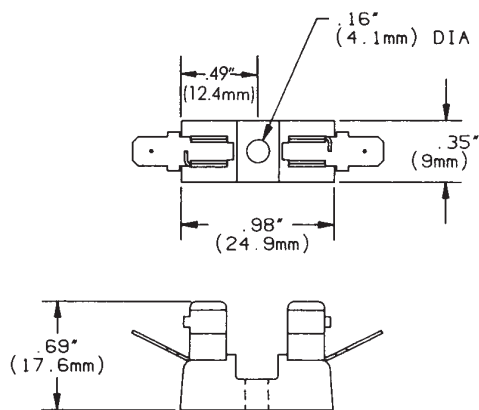
- Tin plated clips
- Polyester insulator
- 3/16" quick-connect terminals
- Rated 15A, 250V
- UL Recognized



6X32QC1 (Ref. Number: Z219603)

SINGLE-POLE FUSE BLOCK for 1/4"x 1-1/4" fuses

- Tin-plated phosphor bronze clips
- Phenolic insulator
- 1/4" quick-connect terminals
- Rated 30A, 250V - UL Recognized
- Rated 20A, 250V - CSA Certified





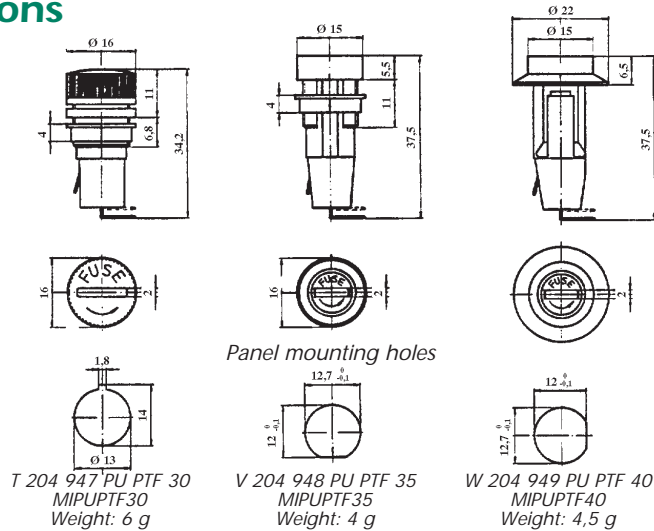
Miniature Fuses Panel Mount Fuseholders PU PTF



250 V AC 6,3A
SHOCK-SAFE FUSE HOLDER 5 x 20
PU PTF 30 - PU PTF 35 - PU PTF 40



Dimensions



PU PTF 30: non-certified

Main Characteristics

Electrical characteristics:

- Rated voltage : 250 V.
- Power dissipation : 2,5 W à 40° C.
- Rated current : 6,3A.
- Dielectric Strength : > 3 KV, 50 Hz, 1 min. dry.
- Contact resistance : < 5 mΩ.
- Insulation resistance : > 100 MΩ.

Mounting:

	PU PTF 30	PU PTF 35	PU PTF 40
Thickness panel :	1 to 3 mm	1 to 6 mm	0,8 to 2,5 mm
Tightening torque :	max. 1,2 N.m	max. 1,2 N.m	

Connections :

slip-on connectors type 2,8 thickness 0,5 mm can be soldered.

Material:

- Holder: Thermoplastics (PC) UL 94 V0, Black.
- Cover: Thermoplastics (PC) UL 94 V0, Black.
- Metal parts copper: Copper Alloy (CuZn37) corrosion protected (Ni+Sn).

Shock Safety: PC1 (IEC standard 127-6).

Packaging:

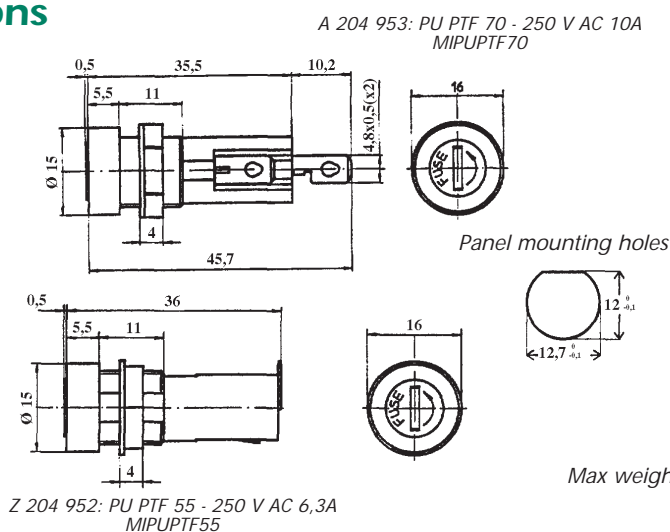
- 10 and 1000 pieces.

Miniature Fuses Panel Mount Fuseholders PU PTF



250 V AC 6,3A
SHOCK-SAFE FUSE HOLDER 5 x 20
PU PTF 70 - PU PTF 55

Dimensions



Max weight: PU PTF 70: 6 g
PU PTF 55: 5,5 g

Main Characteristics

Electrical characteristics:

- Rated voltage: 250 V.
- Power dissipation: 2,5 W à 40° C.
- Rated current: 10A PU PTF 70 - 6,3A PU PTF 55
- Dielectric strength: > 3 KV, 50 Hz, 1 min. dry.
- Contact resistance: < 5 mΩ.
- Insulation resistance: > 100 MΩ.

Mounting:

Front panel thickness from 1 to 6 mm (punched hole : see drawing). Max. tightening torque : 1,2 N.m

Connections:

Slip-on connectors type 4,8 for PU PTF 70 and 2,8 for PU PTF 55, thickness 0,5 mm can be soldered.

Material:

- Holder: Thermoplastics (PBT) UL 94 V0, Black.
- Cover: Thermoplastics (PBT) UL 94 V0, Black.
- Metal parts: Copper Alloy (CuZn37) corrosion protected (Ni+Sn).

Shock Safety:

- PC1 (IEC standard 127-6).

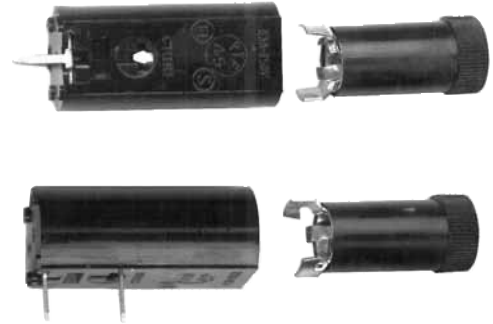
Packaging:

- 10 and 1000 pieces

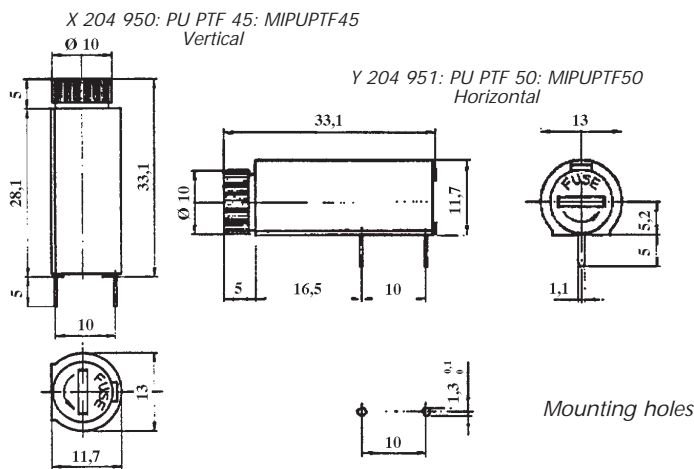


Miniature Fuses Panel Mount Fuseholders PU PTF

250 V AC 6,3A
SHOCK-SAFE FUSE HOLDER 5 x 20
PU PTF 45 - PU PTF 50
Printed circuit board mounting.
Bayonet cover.



Dimensions



Max weight: PU PTF 45 : 5 g
PU PTF 50 : 5 g

Main Characteristics

Electrical characteristics:

- Rated voltage: 250 V.
- Power dissipation: 2,5 W à 40° C.
- Rated current : 6,3A.
- Dielectric strength: > 3 KV, 50 Hz, 1 min. dry.
- Contact resistance: < 5 mΩ.
- Insulation resistance: > 100 MΩ.

Mounting & Connections:

- Printed circuit board, vertical (PU PTF 45) or horizontal (PU PTF 50) mount.
- Soldering pins 0,5 x 1,1 mm. Solderability in accordance with IEC 68-2-2.

Material:

- Holder: Thermoplastics (PC) UL 94 V0, Black.
- Cover: Thermoplastics (PBT) UL 94 V0, Black.
- Metal parts: Copper Alloy (CuZn37) corrosion protected (Ni+Sn).

Shock Safety:

- PC1 (IEC standard 127-6).

Packaging:

- 10 and 1000 pieces.

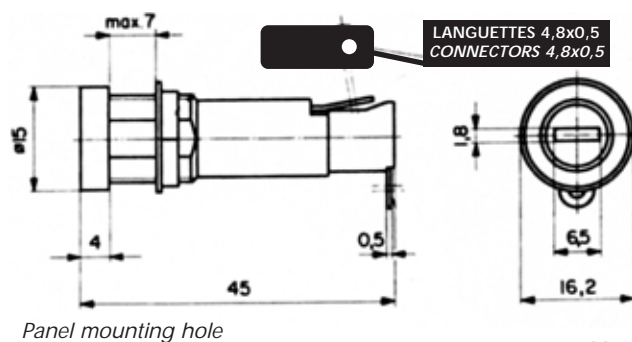
Miniature Fuses Panel Mount Fuseholders PU



As per standards: IEC 127-6, UL512, IEC257.

250V AC 10A Montage frontal
For 5X20 and 6X32 Fuses
PU PANEL 5-6 à languettes

Dimensions



Max weight :

Receptacle:

T 210 536 : 5g

Fuse carrier:

5x20 X 210 539 : 2,5g

6x32 Y 210 540 : 2,5g



Main Characteristics

Electrical characteristics:

- Rated voltage: 250V.
- Admissible fuse power dissipation: 5X20 fuses 4W ; 6x32 fuses 4W at 23°C.
- Rated current approved: 10A according to IEC 127 and 16A according to UL.
- Dielectric strength: 4KV, 50Hz, 1min dry.
- Protection class: PC2 according IEC 127 or IP 40 according EN 60 529.
- Allowable ambient air temperatures T_a for accessible parts : -25°C to +85°C (Derating admissible power acceptance)
- Contact resistance: 5mΩ.
- Isulation resistance (500VDC/1min) : > 100MΩ.

Mounting:

Front panel mounting. Torque/Fixing nut : max. 1,2 Nm
Slip-on connectors type 4,8mm X 0,5mm, can be soldered

Fuse carrier:

with bayonet fixing, screwdriver slot.
5x20 X210539 - Cat n° MIBH5PUS-6
6x32 Y210540 - Cat n° MIBH6PUS-6

Receptacle:

T210536 - Cat n° MIPUP5-6L

Packaging:

10 and 100 pieces.



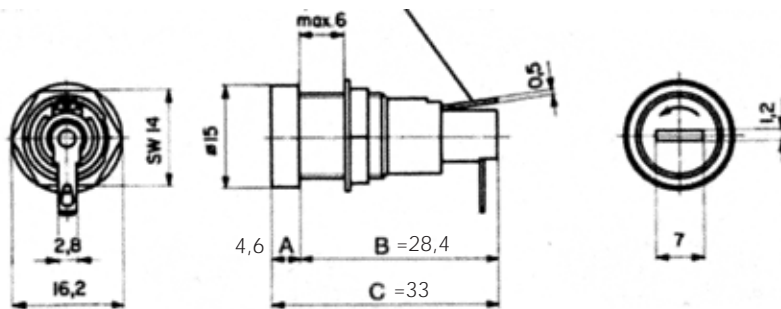
Miniature Fuses Panel Mount Fuseholders PU

250V AC 10A IP65
For 5X20 Fuses
PU 5x20 IP65 COMPLET

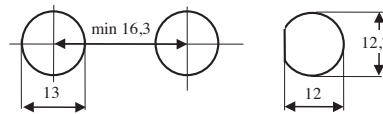


As per standards: IEC 127-6, UL512, IEC257.

Dimensions



Panel mounting hole



Max weight: Receptacle & Fuse carrier F 210 547: 5g

Main Characteristics

Electrical characteristics:

- Rated voltage: 250V.
- Admissible fuse power dissipation: 2,5W à 23°C.
- Rated current approved: 6,3A according to IEC 127 and 10A as per UL.
- Dielectric strength: 4KV, 50Hz, 1min dry.
- Protection class: PC2 according IEC 127 or IP 65 according EN 60 529.
- Allowable ambient air temperatures for accessible parts: -25°C to +85°C (Derating admissible power acceptance)
- Contact resistance: 5mΩ.
- Isulation resistance (500VDC/1min): > 100MΩ

Mounting:

Front panel mounting. Torque/Fixing nut: max. 1,2 Nm.
Slip-on connectors type 2,8mm X 0,5mm, can be soldered.

Fuse carrier:

screw type, screwdriver slot, torque 0,35NNm.

Receptacle & fuse carrier:

F210547 - Cat n°: MIPU5IP65 COMPL



Miniature Fuses Panel Mount Fuseholders PU



Fuse carrier 6x32

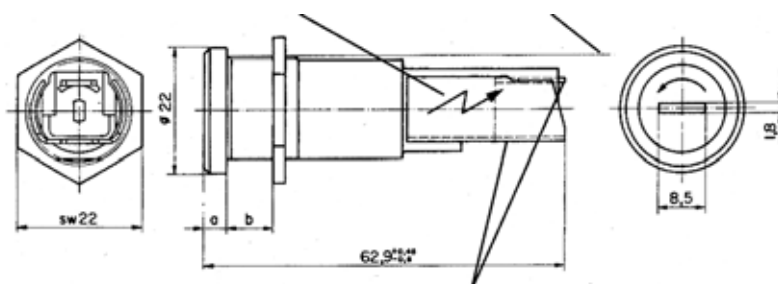


Fuse carrier 5x20

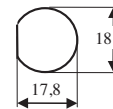
250V AC 16A IP67
For 5X20 and 6X32 Fuses

As per standards: IEC 127-6, UL512, IEC257.

Dimensions



Panel mounting hole



Max weight: Receptacle: A 210 542 : 10g
Fuse carrier 5x20 C 210 544 : 2,5g
6x32 E 210 546 : 2,5g

Main Characteristics

Electrical characteristics:

- Rated voltage : 250V.
- Admissible fuse power dissipation : 4W à 23°C.
- Rated current approved : 16A according to IEC 127 and 30A according to UL.
- Dielectric strength : 4KV, 50Hz, 1min dry.
- Protection class : PC2 according IEC 127 or IP 67 according EN 60 529.
- Allowable ambient air temperatures T_a for accessible parts : -25°C to +85°C (Derating admissible power acceptance)
- Contact resistance : 3,5mΩ.
- Isulation resistance (500VDC/1min) : > 100MΩ

Mounting:

Front panel mounting. Torque/Fixing nut : max. 2.4 Nm.
Slip-on connectors type 6.3mm X 0.8mm, can be soldered.
Cross-section 6mm≈.

Fuse carrier: screw type, screwdriver slot.

5x20 C210544 - Cat N° MIBH5PU5-6IP67
6x32 E210546 - Cat N° MIBH6PU5-6IP67

Receptacle:

A210542 - Cat N° MIPU5-6IP67

Packaging:

- 10 and 100 pieces.



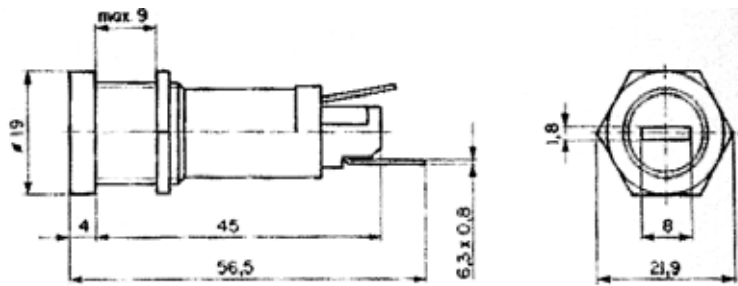
Miniature Fuses Panel Mount Fuseholders PU

500V AC 10A
For 5X20 and 6X32 Fuses
PU 500V 5-6 à languettes



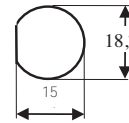
As per standards: IEC 127-6, UL512, IEC257.

Dimensions



Panel mounting hole

Max weight : Receptacle Z210541 : 5g
Fuse carrier 5x20 B210543 : 2,5g
6x32 D210545 : 2,1g



Main Characteristics

Electrical characteristics:

- Rated voltage: 500V.
- Admissible fuse power dissipation: 4W à 23°C.
- Rated current approved: 10A as per IEC 127 and 20A as per UL.
- Dielectric strengt: 4KV, 50Hz, 1min dry.
- Protection class: PC2 according IEC 127 or IP 40 according EN 60 529.
- Allowable ambient air temperatues T_a for accessible parts: -25°C to +85°C (Derating admissible power acceptance)
- Contact resistance: 5mΩ.
- Isulation resistance (500VDC/1min) : > 100MΩ.

Mounting:

Front panel mounting. Torque/Fixing nut: max. 1,2 Nm.

Slip-on connectors type 6,3mm thickness 0,8mm can be soldered. Cross-section 6mm \approx .

Fuse carrier: screw type, screwdriver slot.

5x20 B210543 - Cat N° MIBH5PU500V5-6

6x32 D210545 - Cat N° MIBH6PU500V5-6

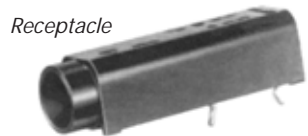
Receptacle:

Z210541 - Cat N° MIPU500V5-6L

Packaging:

- 10 and 100 pieces.

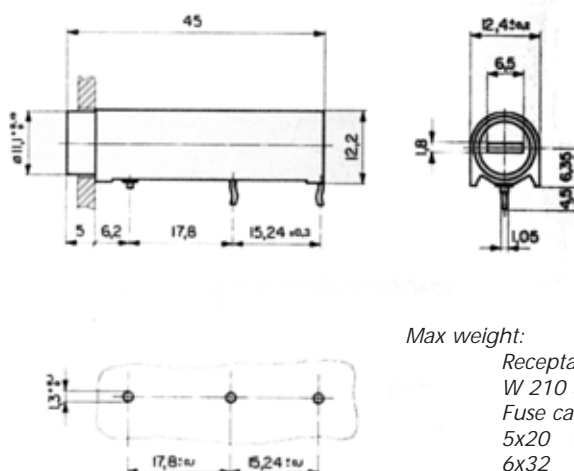
Miniature Fuses Panel Mount Fuseholders PU



As per standards: IEC 127-6, UL512, IEC257.

250V AC 10A montage horizontal
For 5X20 and 6X32 Fuses
PU CI-H 5-6 picots

Dimensions



Max weight:

Receptacle:
W 210 538 : 5g
Fuse carrier:
5x20 X 210 539 : 2,5g
6x32 Y 210 540 : 2,5g

Main Characteristics

Electrical characteristics:

- Rated voltage: 250V.
- Admissible fuse power dissipation: 5X20 fuses 2,5W ;6x32 fuses 3,2W at 23°C.
- Rated current approved: 10A according to IEC 127 and 16A according to UL.
- Dielectric strength: 4KV, 50Hz, 1min dry.
- Protection class: PC2 according IEC 127 or IP 40 according EN 60 529.
- Allowable ambient air temperatures T_a for accessible parts: -25°C to +85°C (Derating admissible power acceptance)
- Contact resistance: 5mΩ.
- Isulation resistance (500VDC/1min) : > 100MΩ.

Mounting:

PCB mount horizontal.
Solderability 235°C 5s.

Fuse carrier: with bayonet fixing, screwdriver slot.

5x20 X210539 - Cat N° MIBH5PU5-6
6x32 Y210540 - Cat N° MIBH6PU5-6

Receptacle:

W210538 - Cat N° MIPUCI-H5-6P

Packaging:

- 10 and 100 pieces.



Gears & Fuse Gears

Miniature Fuses Panel Mount Fuseholders GPM



GPM PANEL MOUNT FUSE HOLDERS

Ferraz Shawmut GPM Panel Mount Fuse Holders are in sizes to accommodate 5mm x 20mm, 1/4" x 1-1/4", Class CC and Midget (1-1/2" x 13/32") fuses. All 30A holders have glass-filled polyester insulators for extra dependability and trouble-free installation. Patented design allows same body to accept screw or bayonet knob. Flange design allows front or rear mounting. The 10A and 15A holders are for front mounting only.

Approvals



- GPM-A, GPM-G: UL Recognized, Guide IZLT2, File E118864
CSA Certified, Class 908501, File AP82191
- All others: UL Recognized, Guide IZLT2, File E52283
CSA Certified, Class 6225, File 32169

Recommended Fuse Usage

GPM Fuse Holders will accommodate these Ferraz Shawmut fuses:

- GPM-A: GGM, GGA, GSC
- GPM-G: GSA, GDL, GGC, GSB, GDG, GAB
- GPM-SRR, GPM-BRR, GPM-WTR: ATQR, ATDR, ATMR
- GPM-SRR90, GPM-BRR90, GPM-WTR90: ATQR, ATDR, ATMR
- GPM-S, GPM-B, GPM-WT: } ATQ, ATM, TRM, OTM, GGU,
- GPM-S90, GPM-B90, GPM-WT90: } A13X-2, A25Z-2, A60Q-2, A6Y-2B

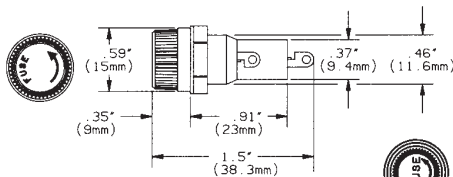


Figure 1

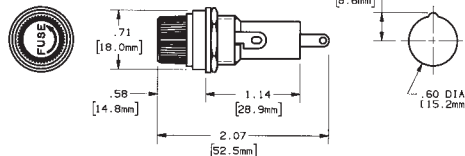


Figure 2

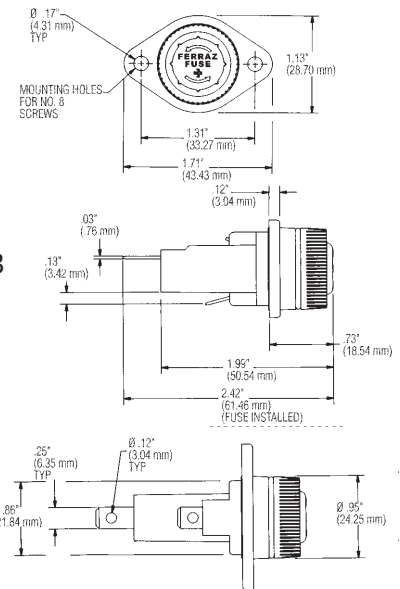


Figure 3

Catalog Numbers & Descriptions

Cat No.	Ref. No.	Fig.	Cap Type	Amps	Volts	Fuse Type	Terminal Type
GPM-A		1	Screw Knob	10	250	5mm x 20mm	Solder
GPM-G		2	Screw Knob	15	250	1/4" x 1-1/4"	Solder
GPM-S		3	Screw Knob	30	600	1-1/2" x 13/32"	1/4" Quick-connect/Solder
GPM-S90		4	Screw Knob	30	600	1-1/2" x 13/32"	1/4" Quick-connect/Solder, Right Angle
GPM-SRR		3	Screw Knob	30	600	Class CC	1/4" Quick-connect/Solder
GPM-SRR90		4	Screw Knob	30	600	Class CC	1/4" Quick-connect/Solder, Right Angle
GPM-B		3	1/4 Turn Bayonet Knob	30	600	1-1/2" x 13/32"	1/4" Quick-connect/Solder
GPM-B90		4	1/4 Turn Bayonet Knob	30	600	1-1/2" x 13/32"	1/4" Quick-connect/Solder, Right Angle
GPM-BRR		3	1/4 Turn Bayonet Knob	30	600	Class CC	1/4" Quick-connect/Solder
GPM-BRR90		4	1/4 Turn Bayonet Knob	30	600	Class CC	1/4" Quick-connect/Solder, Right Angle
GPM-WT		3	Water-tight Screw Knob	30	600	1-1/2" x 13/32"	1/4" Quick-connect/Solder
GPM-WT90		4	Water-tight Screw Knob	30	600	1-1/2" x 13/32"	1/4" Quick-connect/Solder, Right Angle
GPM-WTR		3	Water-tight Screw Knob	30	600	Class CC	1/4" Quick-connect/Solder
GPM-WTR90		4	Water-tight Screw Knob	30	600	Class CC	1/4" Quick-connect/Solder, Right Angle

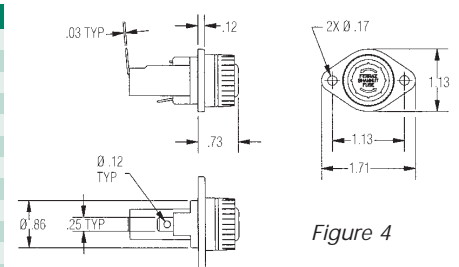


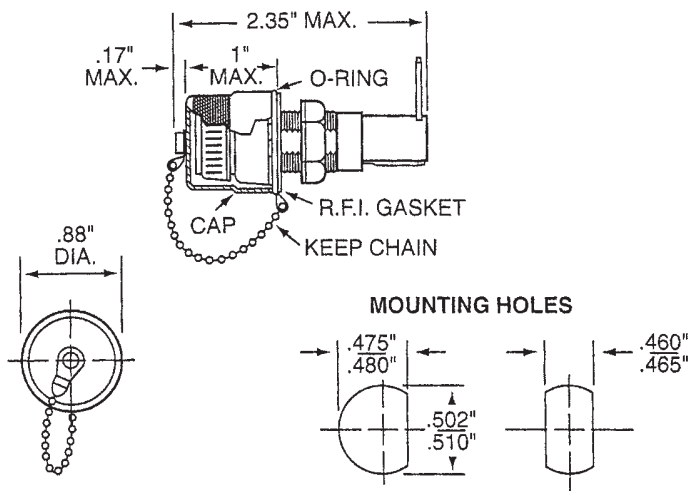
Figure 4



Miniature Fuses Panel Mount Fuseholders GPM

GPM-SERIES

RF Shielded/watertight panel mount for 3AG fuses. Radio frequency shielded fuseholders eliminate possible transmission or reception of RF signals through the hole in the chassis in which the fuseholder is mounted. These fuseholders comply with the watertight construction requirement of MIL-F-19207 and the Shock-Safe requirements of IEC 65 and 257. A rubber O-ring and conductive gasket maintain RF shielding and watertight construction.



Catalog Numbers & Descriptions

Catalog Number	Reference Number	Brass Shielding. Cap finish
GPM-RFN	D230509	NICKEL PLATED
GPM-RFB	C230508	DULL BLACK



Miniature Fuses Panel Mount Fuseholders GPM



International shock-safe panel mount type Fuses

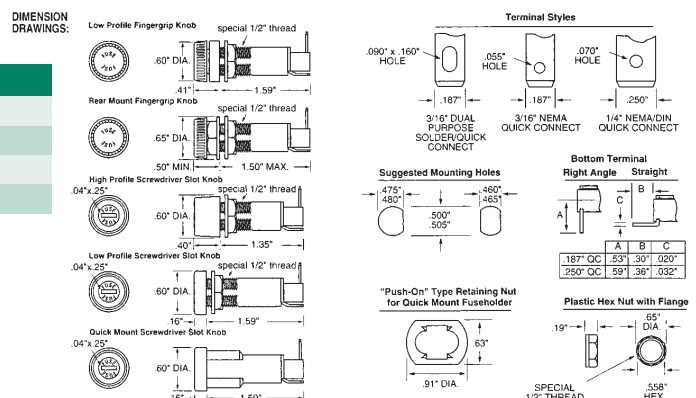
A complete selection of styles satisfy a wide variety of fuseholder design needs. Designed to eliminate the possibility of electrical shock, as defined in IEC standards 65 and 127. The Universal fuseholder body will accept 3AG, 5x20mm, and 2AG fuse sizes depending on knob selected. Permits inventory reduction of bodies and provides knob interchange versatility. Anti-tease feature eliminates circuit interruption when knob is accidentally depressed. Five fuseholder types assure design flexibility. Available with two knob styles – screwdriver slot or fingertip. Available in two terminal styles – dual purpose for soldering or 3/16" NEMA quick connect; and 1/4" NEMA/DIN quick connect. Quick fuse size identification is provided with color-coded letters on finger-grip knob and color-coded screwdriver slot knobs.

Specifications

- **Electrical:** Insulation Resistance: 10,000 Megohm minimum at 500 VDC. Contact Resistance: Less than .005 ohms average at currents up to 1 ampere.
- **Mounting:** Threaded styles withstand 15 in.-lb. mounting torque. Low profile and High profile panel thickness: .032" min./ .310" max. Quick mount panel thickness: .012" min./ .360" max. Rear mount panel thickness: .012" min./ .260" max.
- **Molded Parts:** Body material: Black glass-filled thermoplastic (UL 94VO) Knob material: Grey, blue or black glass-filled thermoplastic (UL 94VO). Hex Nut Material: Black glass-filled thermoplastic.
- **Knob:** Finger-Grip, Fuse Extractor type or Screwdriver Slot, Fuse Extractor type with plated copper alloy contact clips. Spring loaded, locking mechanism provides anti-tease feature and will not vibrate loose.
- **Terminals:** Copper alloy. Tin-plated. Three styles available. A .187" dual purpose terminal accepts wire for soldering or a Quick-Connect receptacle. .187" terminal for NEMA Quick-Connect and .250" terminal for NEMA/DIN Quick-Connect available.
- **Ambient Temperature:** -40°C to +85°C.
- **Hardware:** Threaded style fuseholders are supplied with thermoplastic hex nut unassembled. Quick Mount style fuseholders are supplied with a push-on type retaining nut, black oxide finish, unassembled.

Approvals

	3AG	5x20mm	2AG
	20A 250V	10A 250V	10A 250V
CSA	20A 250V	10A 250V	10A 250V
SEMKO	6.3A 250V	10A 250V	-
VDE	10A 250V	10A 250V	-

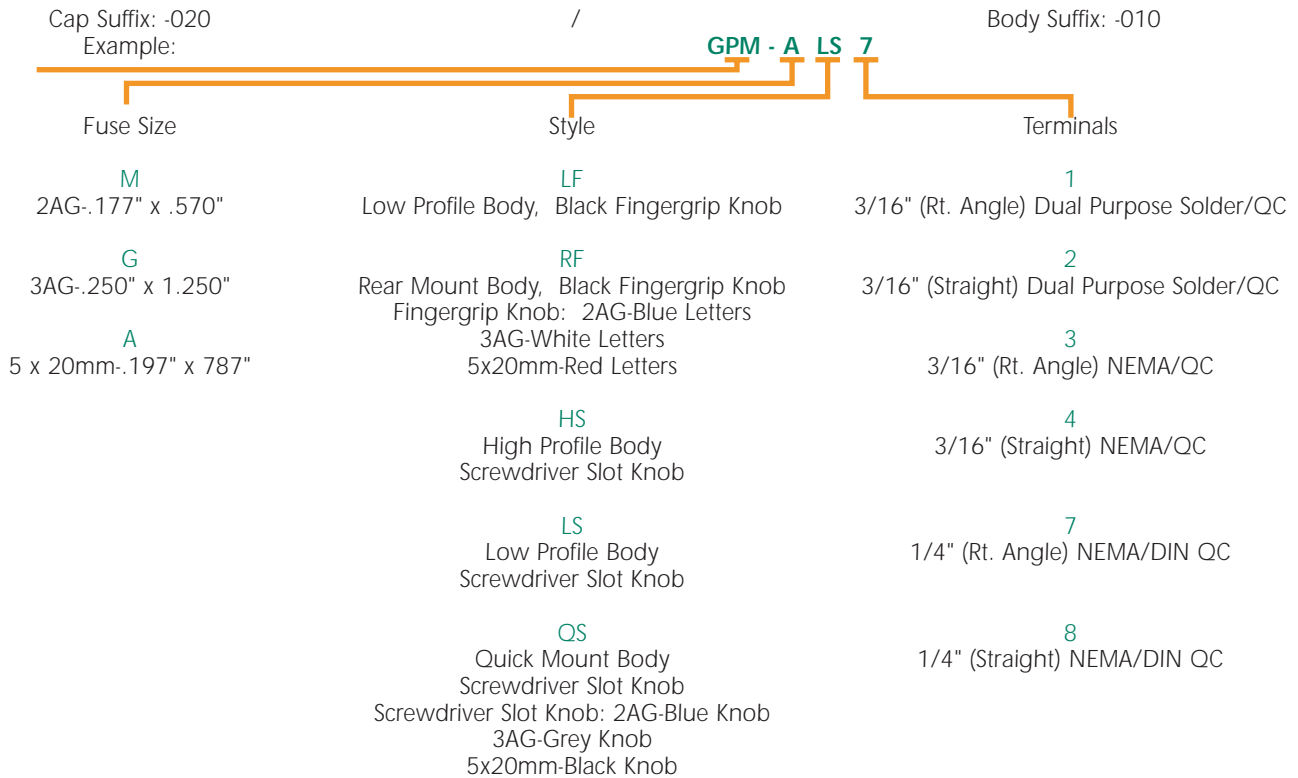




Miniature Fuses Panel Mount Fuseholders GPM

International shock-safe panel mount type Fuses

Ordering Information:



To Order Knob Only:

Fuse size	Fingergrip knob		screwdriver slot knob	
	Cat. number	Ref. Number	Cat.number	Ref. Number
2AG	GPM-MLF1-020		GPM-MLS1-020	
3AG	GPM-GLF1-020		GPM-GLS1-020	
5x20mm	GPM-ALF1-020		GPM-ALS1-020	

To Order Body Including Nut(s) Only:

Terminal style	Bottom terminal	Low profile Body		High Profile Body		Rear Mount Body		Quick Mount Body	
		Cat.No***	Ref.No	Cat.No	Ref.No	Cat.No	Ref.No	Cat. No	Ref.No
3/16" Dual Purpose	(Rt. Angle)	GPM-ALF1-010		GPM-AHS1-010		GPM-ARF1-010		GPM-AQS1-010	
3/16" Dual Purpose	(Straight)	GPM-ALF2-010		GPM-AHS2-010		GPM-ARF2-010		GPM-AQS2-010	
3/16" NEMA QC	(Rt. Angle)	GPM-ALF3-010		GPM-AHS3-010		GPM-ARF3-010		GPM-AQS3-010	
3/16" NEMA QC	(Straight)	GPM-ALF4-010		GPM-AHS4-010		GPM-ARF4-010		GPM-AQS4-010	
1/4" NEMA/DIN QC	(Rt. Angle)	GPM-ALF7-010		GPM-AHS7-010		GPM-ARF7-010		GPM-AQS7-010	
1/4" NEMA/DIN QC	(Straight)	GPM-ALF8-010		GPM-AHS8-010		GPM-ARF8-010		GPM-AQS8-010	

*** Low profile body will accept either Fingergrip or Screwdriver Slot Knob.

Note: Consult factory for ordering combined packages with knob and body.

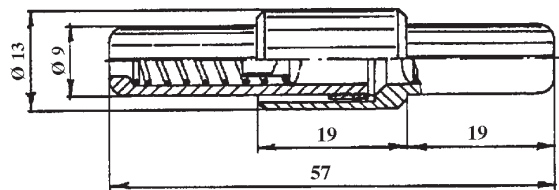
Miniature Fuses In-Line Fuse-holders PRF



250 V AC 6,3A
Fuse-holders 5 x 20
PRF 5-6 SF - PRF 5-6 AF

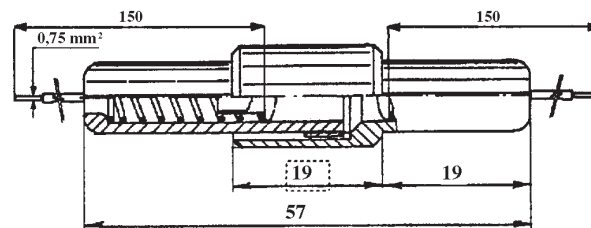
Dimensions

WITHOUT CABLE



M 205 010 PRF 5-6 SF - Cat N°: MIPRF5-6SF

WITH CABLE



W 078 311 PRF 5-6 AF - Cat N°: MIPRF5-65AF

Max weight: PRF 5-6 SF : 5 g
PRF 5-6 AF : 8 g

Main Characteristics

Electrical characteristics:

- Rated voltage: 250 V.
- Power dissipation: 1,6 W à 40° C.
- Rated current: 6,3 A.
- Dielectric Strength: > 3 KV, 50 Hz, 1 min. dry.
- Contact resistance: < 5 mΩ.
- Insulation resistance : > 100 MΩ.

Mounting:

- In-line fuseholders.

Connections:

- PRF 5-6 SF crimp rivet printed. PRF 5-6 AF Cable 0,75 mm².

Material:

- Holder: Thermoplastics (PA 6).
- Cable: copper with black PVC sheath.
- Contacts: Copper alloy.

Shock Safety:

- PC1 (IEC standard 127-6).

Packaging:

- 10 and 1000 pieces.



Miniature Fuses In-Line Fuse-holders FEB, FEC, FEX, FEY



Ferraz Shawmut's complete line of single and dual pole in-line fuse holders accommodate either 1-1/2" x 13/32" (10x38mm) midget or Class CC fuses. The fuse holders are designed for quick installation. Securing nuts or screws are captive thus speeding installation by reducing the need to locate and assemble loose components in the field. Three internal O-rings per pole seal the fuse holder providing a water-resistant compartment for the fuse. The captive O-rings are colored (blue for single pole and red for dual pole) for quick detection. Optional cone shaped insulator boots can be slipped on to provide a watertight seal (breakaway versions come with boots standard). Both single and dual pole versions have an optional breakaway feature which safely disconnects the load in case of a pole knockdown. Fuses remain safely encapsulated within the watertight fuse holder on the load side. Once the pole has been reinstalled the fuse holder can be easily reconnected.

Ratings

- 600 VAC, 30A
- Withstand Rating: Midget Fuse 100kA I.R., Class CC 200kA I.R.
- Temperature Rating: 155°C

Approvals

- UL Listed, Class CC, Guide IZLT, File E52283
- UL Recognized Component Midget, Guide IZLT2, File E52283
- CSA Certified, Class CC and Midget, Class 6225, File 32169

Applications:

- Street lighting
- Parking lot lighting
- Traffic signaling
- Sports lighting
- Boats and marinas
- Humid/corrosive environments

Recommendes fuse usage

- FEB and FEX holders will accomodate these Ferraz Shawmut Fuses: Midget (1-1/2" x 13/32", 10 x 38mm): ATQ, ATM, TRM, OTM, GGU, GFN, A13X-2, A25Z-2, A60Q-2, A6Y-2B
- FEC and FEY holders will accomodate these Ferraz Shawmut Fuses: Class CC: ATDR, ATMR, ATQR

Highlights

- Breakaway version quickly disconnects line side during pole knockdown in compliance with state and federal highway commission standards
- 3 O-rings per pole for water tight applications
- Colored O-rings for quick detection
- Single and dual poles
- Accepts midget or Class CC fuses
- Wide assortment of terminal variations
- High heat, impact resistant insulator
- Captive nut or screw for quick installations
- Polarized dual pole provides simultaneous disconnection
- Permanently installed neutral versions quickly identified by white nuts
- Tulip fuse clip for improved contact and low losses
- Environmentally friendly-no lead solder used
- Highly visible catalog number even with insulation boots installed
- Wire gage size identified on insulation boots for quick, accurate trimming



Miniature Fuses In-Line Fuse-holders FEB, FEC, FEX, FEY



Catalog Numbering System

Family	Load Terminal		Line Terminal		Option
	Type	Material	Type	Material	
FEB-	1	1	- 1	1	-BA

Nomenclature Legend

Family	Family Description	Terminal End View	Terminal	Type	Load or Line Terminal Type				Option Description
					Conductor Size	No. Per Terminal	Solid	Stranded	
FEB	Single pole midget		11	Cu Crimp	#8-#12 #12-#14	1 2	Yes Yes	Yes Yes	BA (breakaway version equipped with breakaway stud, breakaway boot, and insulating boots for both line and load sides)
FEC	Single pole Class CC		21	Cu Crimp	#10 #6 #4	2 1 1	Yes Yes Yes	Yes Yes No	
FEX	Dual Pole midget		31	Cu Crimp	#10 #4	2 1	Yes No	Yes Yes	
FEY	Dual pole Class CC		41	Cu Crimp	#6 #2	2 1	Yes No	Yes Yes	
FEBN	Single pole neutral		81	Cu Single Set Screw	#2-#12	1	Yes	Yes	
			91	Cu Double Set Screw	#2-#12	1 each	Yes	Yes	
			82	Al Single Set Screw	#2-#12	1	Yes	Yes	
			92	Al Double Set Screw	#2-#12	1 each	Yes	Yes	

Notes:

1. Non-breakaway units do not include insulator boots. These optional cone shaped boots are available to provide a watertight installation. The insulator boots are designed to form a watertight seal over conductors, but due to varying wire insulation sizes it is suggested that tape wrap be utilized for best results.

FSB1 = Single conductor boot (used to cover all crimp type & single set screw terminals)

FSB2 = Double conductor boot (used to cover all double set screw (Y-type) terminals)

Insulator boot trimming instructions: Locate wire gage size to be utilized marking on the boot and cut just beneath it.

2. Tightening torque for single and double set screw terminations: 35 lbs.-in.
3. Tightening torque for dual pole fastening screw: 10-15 lbs.-in.
4. FEBN versions have a permanently mounted dummy fuse for neutral applications.



Miniature Fuses In-Line Fuse-holders FEB, FEC, FEX, FEY

Ferraz Shawmut In-Line Fuse Holder Family Typical Combination Chart

Midget (10x38mm)		Midget (10x38mm) Breakaway		Class CC Breakaway		Class CC	
Cat Num	Ref. Num	Cat Num	Ref. Num	Cat Num	Ref. Num	Cat Num	Ref. Num
FEB-11-11		FEB-11-11-BA		FEC-11-11		FEC-11-11-BA	
FEB-11-21		FEB-11-21-BA		FEC-11-21		FEC-11-21-BA	
FEB-11-31							
FEB-11-41		FEB-11-41-BA					
		FEB-11-81-BA					
FEB-11-82		FEB-11-82-BA					
FEB-11-91		FEB-11-91-BA		FEC-11-91		FEC-11-91-BA	
FEB-11-92		FEB-11-92-BA					
FEB-11-S							
FEB-21-11							
FEB-21-21		FEB-21-21-BA		FEC-21-21		FEC-21-21-BA	
FEB-21-91		FEB-21-91-BA					
FEB-31-31		FEB-31-31-BA					
FEB-41-41		FEB-41-41-BA					
FEB-81-81		FEB-81-81-BA		FEC-81-81		FEC-81-81-BA	
FEB-81-91		FEB-81-91-BA					
FEB-81-S							
FEB-82-82		FEB-82-82-BA					
FEB-82-92		FEB-82-92-BA					
		FEB-91-91-BA					
FEBN-11-11		FEBN-11-11-BA					
FEBN-11-91		FEBN-11-91-BA					
FEBN-81-81		FEBN-81-81-BA					
FEB-SS							

Midget (10x38mm) Dual Pole		Midget (10x38mm) Dual Pole Breakaway		Class CC Dual Pole		Class CC Dual Pole Breakaway	
Cat Num	Ref. Num	Cat Num	Ref. Num	Cat Num	Ref. Num	Cat Num	Ref. Num
FEX-11-11		FEX-11-11-BA		FEY-11-11		FEY-11-11-BA	
FEX-11-21		FEX-11-21-BA		FEY-11-21		FEY-11-21-BA	
FEX-11-31		FEY-11-31					
FEX-11-41				FEY-11-41			
						FEY-11-91-BA	
FEX-21-21		FEX-21-21-BA		FEY-21-21		FEY-21-21-BA	
FEX-81-81							
FEX-81-91		FEX-81-91-BA					

Note: Consult factory for other configurations.

Crimping Tools Reference Chart, The following crimping tools (or equivalent) are recommended:

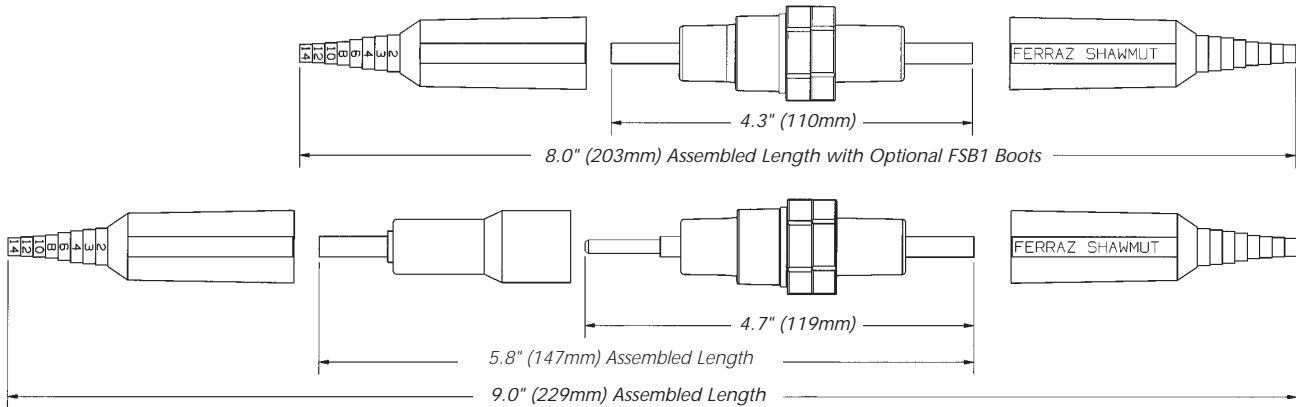
Terminal Type	FCI-Burndy	T&B
1	Y8MRB-1	WT-111M
2	Y2MR	TBM2/TBM5 BLUE DIE, WT-115-A DIE O
3	Y2MR	TBM2/TBM5 GREY DIE, WT-115-A DIE E
4	Y2MR	TBM2/TBM5 BROWN DIE, WT-115-A DIE F



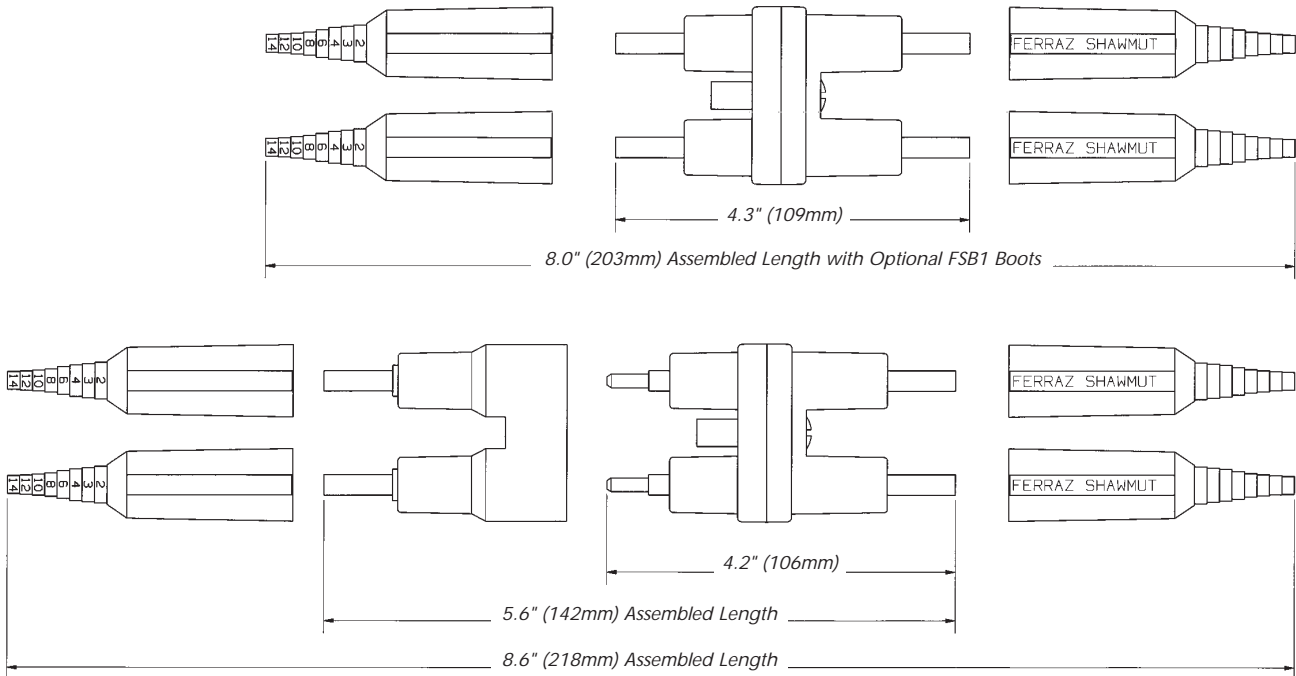
Miniature Fuses In-Line Fuse-holders FEB, FEC, FEX, FEY



FEB and FEC, Non-Breakaway and Breakaway Assembly Drawings



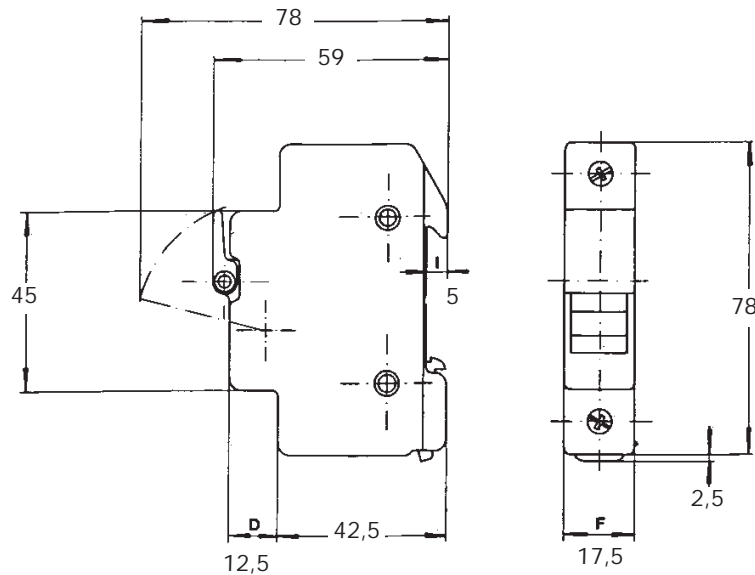
FEX and FEY, Non-Breakaway and Breakaway Assembly Drawings





Miniature Fuses Fuse Holders and Disconnectors MSM for 5x20

MSM



- Blown-fuse indicator (120/690V)
- Cable size:
 - Unipolar: 1 x 16 mm²
 - Unipolar + neutral: 1 x 10 mm²
- IP20

MSM

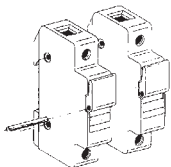
I_n max 16A ; V_n max 250V



J225707

Poles	Size	Previous Ref.	Reference Number	In-Vn	Cat. Number
1	5 x 20	05952	J225707	16A-250V	MIMSM250V16IP
1+N (1 mod.)	5 x 20	05956	K225708	16A-250V	MIMSM250V16IP+N

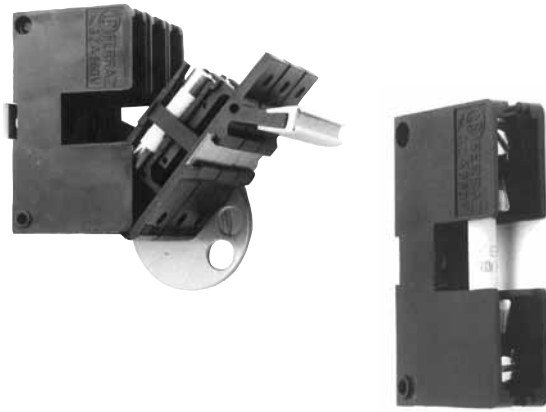
Assembly pin



N. Mod.	Previous Ref.	Reference Number	Cat. Number
2	14030	G215125	MSCMSDMAASS2
3	14031	Q216145	MSCMSDMAASS3
4	14032	A217166	MSCMSDMAASS4



Miniature Fuses Fuse Holders and Disconnectors SI 6.32



For Ferrule-type Fuses 6.3x32

- COMPLIANCE WITH IEC 947-3.
- MOUNTING ON SYMMETRICAL OR ASYMMETRICAL 35 mm DIN-RAIL.
- PROTECTION AGAINST TOUCHING OF LIVE PARTS.
- PROTECTION DEGREE: IP 2X FOR DISCONNECTORS (WHEN DEVICE IS CONNECTED AND CLOSED)
- SILVER-PLATED CLIPS WITH ELASTIC CLAMPING.
- SELF-EXTINGUISHING MATERIAL VO-CLASS AS PER UL94.
- PADLOCKING DEVICE, BLOWN FUSE INDICATION THROUGH L.E.D ON REQUEST.
- SALT SPRAY-PROOF VERSION AVAILABLE ON REQUEST.

Main Characteristics

Insulation voltage: 690 V

Rated conventional current I_{th} : 32 A

Permissible max. power: 3,5 W

Impulse withstand voltage U_{imp} : 8 kV

Overload current limitation:

Operation class: AC 20 B

Short-circuit withstand current with Ferraz Shawmut fuses: I_c maxi = 4,7 kA.

Power frequency withstand voltage: 2.5 Kv, 50 Hz during 1 min.

- Fuseholders without grip with FERRAZ SHAWMUT fuses: No limitation
- Disconnector with FERRAZ SHAWMUT fuse rated ≤ 10 A: No limitation
- Disconnector with FERRAZ SHAWMUT fuse rated > 10 A: Clearing of overloads longer than 200 s by another protection device (thermal relay or other)

Connections:

CC type: Screw clamp terminals for copper cables with 10 mm² max. section.

LL type : 6.3 mm clips.

LC type : Upstream clips and downstream screw clamp terminals.

- Recommended tightening torque for clamp terminals: 1.2 Nm to 1.4 Nm.

- Maximum tightening torque for holders: 1.5 to 2 Nm.

Blown fuse indication auxiliary contact:

- Factory mounted and operating only with a 6.3x32 fuse with trip-indicator

	Non inductive load			Inductive load $\cos \varphi=0.6$ or $L/R=2.5$ ms		
	30 V	110 V	250 V	30 V	110 V	250 V
AC interrupting rating	5 A	5 A	5 A	5 A
DC interrupting rating	4 A	0.4 A	2 A	0.4 A

- Minimum voltage-current for a certain operating: 24 V 10 mA
- Connection: Soldering or 2.8 mm clips

Blown-fuse LED indication:

- In-factory mounted . DC: 1 LED with polarization + 1 LED with upstream terminal; AC: 2 LEDs.
- Maximum operating voltage according to models: up to 250 V (AC and DC)
- Current after fuse blowing : 1.7 mA to 6 mA.



Miniature Fuses Fuse Holders and Disconnectors SI 6.32

For Ferrule-type Fuses 6.3x32

Holders without grip



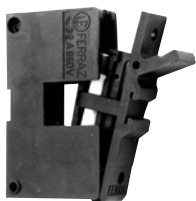
Ref. Number	Designation	Connecting	Catalog Number
M091482	SI 6.32 CC	Screw clamp	MIS1CC6
Z091746	SI 6.32 LL	6.3 mm clips.	MIS1LL6
J091939	SI 6.32 LC	Upstream clips and downstream screw clamp	MIS1LC6

No protection against live terminals and fuse touching.

Mounting: Directly screwed on base or snapped on DIN-rail an adaptation (refer to accessories).

Packaging: 10 pieces - Weight: 30g

Disconnectors with or without interlocking



Without locking



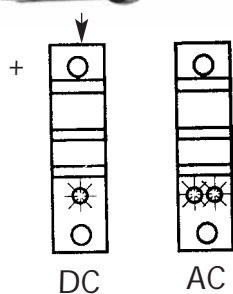
With locking grip

Ref. Number	Designation	Connecting	Catalog Number
N091483	SI 6.32 CC PRE	Screw clamp	MIS1C6P
M091942	SI 6.32 PRE V	Screw clamp with lock	MIS1C6PV
G082990	SI 6.32 CC PRE BS M	Screw clamp	MIS1C6PBSMC
E091728	SI 6.32 LL PRE	6.3 mm clips	MIS1LL6P
Q091945	SI 6.32 LL PRE V	6.3 mm clips with locking	MIS1LL6PV
R091946	SI 6.32 LC PRE	Upstream clips and downstream screw clamp	MIS1LC6P
W091973	SI 6.32 LC PRE V	Upstr. clips and downstr. screw clamp with locking	MIS1LC6PV

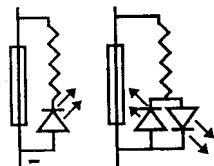
Mounting : Directly screwed on base or snapped on DIN-rail an adaptation (refer to accessories).

Packaging: 10 pieces - Weight: 40g

Disconnectors with led indication



Schéma



Ref. Number	Designation	Connecting	Max voltage of the circuit	Catalog Number
F091982	SI 6.32 CC PRE D 30	Screw clamp	30V DC Upstream terminal at plus	MIS1C6PD3
Q092014	SI 6.32 LL PRE D 30	6.3 mm clips		MIS1LL6PD3
A092046	SI 6.32 LC PRE D 30	Clip upstr./Clamp downstr.		MIS1LC6PD3
G091983	SI 6.32 CC PRE D 50	Screw clamp	50V DC Upstream terminal at plus	MIS1C6PD5
W092019	SI 6.32 LL PRE D 50	6.3 mm clips		MIS1LL6PD5
B092047	SI 6.32 LC PRE D 50	Clip upstr./Clamp downstr.		MIS1LC6PD5
A091954	SI 6.32 CC PRE D 125	Screw clamp	125V DC Upstream terminal at plus	MIS1C6PD12,5
S092016	SI 6.32 LL PRE D 125	6.3 mm clips		MIS1LL6PD12,5
C092048	SI 6.32 LC PRE D 125	Clip upstr./Clamp downstr.		MIS1LC6PD12,5
J091985	SI 6.32 CC PRE D 250	Screw clamp	250V DC Upstream terminal at plus	MIS1C6PD25
T092017	SI 6.32 LL PRE D 250	6.3 mm clips		MIS1LL6PD25
D092049	SI 6.32 LC PRE 2D 250	Clip upstr./Clamp downstr.		MIS1LC6PD25
K091986	SI 6.32 CC PRE 2D 30	Screw clamp	30V AC	MIS1C6P2D3
V092018	SI 6.32 LL PRE 2D 30	6.3 mm clips		MIS1LL6P2D3
E092050	SI 6.32 LC PRE 2D 30	Clip upstr./Clamp downstr.		MIS1LC6P2D3
L091987	SI 6.32 CC PRE 2D 50	Screw clamp	50V AC	MIS1C6P2D5
R092015	SI 6.32 LL PRE 2D 50	6.3 mm clips		MIS1LL6P2D5
F092051	SI 6.32 LC PRE 2D 125	Clip upstr./Clamp downstr.		MIS1LC6P2D5
M091988	SI 6.32 CC PRE 2D 125	Screw clamp	125V AC	MIS1C6P2D12,5
X092020	SI 6.32 LL PRE 2D 125	6.3 mm clips		MIS1LL6P2D12,5
G092052	SI 6.32 LC PRE 2D 125	Clip upstr./Clamp downstr.		MIS1LC6P2D12,5
N091989	SI 6.32 CC PRE 2D 250	Screw clamp	250V AC	MIS1C6P2D25
Y092021	SI 6.32 LL PRE 2D 250	6.3 mm clips		MIS1LL6P2D25
H092053	SI 6.32 LC PRE 2D 250	Clip upstr./Clamp downstr.		MIS1LC6P2D25

Mounting : Directly screwed on base or snapped on DIN-rail an adaptation (refer to accessories).

Packaging: 5 pieces - Weight: 40g



Miniature Fuses Fuse Holders and Disconnectors SI 6.32

Disconnectors with auxilliary contact indication



Ref. Number	Designation	Connecting	Catalog Number
T092109	SI 6.32 LL PRE+MC 2,5	6.3 mm clip.	MIS1LL6PMC
P092335	SI 6.32 LC PRE+MC 2,5	Upstream clips and downstream screw clamp	MIS1LC6PMC

Impossible for SI 6.32 CC PRE type disconnector.

Mounting: Directly screwed on base or snapped on DIN-rail an adaptation (refer to accessories).

Packaging: 5 pieces - Weight: 45g

Disconnectors with neutral dummy fuses



Ref. Number	Designation	Connecting	Catalog Number
W092088	SI 6.32 CC PRE + Neutre	Screw clamp	MIS1C6P+N
X092089	SI 6.32 LL PRE + Neutre	6.3 mm clip	MIS1LL6P+N
X085879	SI 6.32 LC PRE + Neutre	Upstream clips and downstream screw clamp	MIS1LC6P+N

Mounting: Directly screwed on base or snapped on DIN-rail adaptation (refer to accessories).

* 6 x 32 neutral dummy fuse Ref. Number : H 047594.

Packaging: 10 pieces - Weight: 45g

Accessories

Coupling strips for 2, 3 and 4-pole model mounting

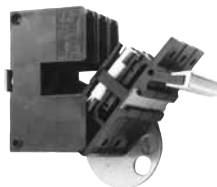


Ref. Number	Designation	Catalog Number
F091867	PROFILE SII 6 X 32 PRE	PROFILE2SI6P
G091868	PROFILE SIII 6 X 32 PRE	PROFILE3SI6P
H091869	PROFILE SIV 6 X 32 PRE	PROFILE4SI6P

Mounting : For slipping on grips. Marking can be slipped on the strip.

Packaging: 10 pieces - Weight: 2,5g

Off-position padlocking devices for 1, 2, 3 and 4-pole models



Ref. Number	Designation	Catalog Number
B092070	DISPOSITIF CAD SI 6 X 32 PRE	MICADSI6P

Only one device to be cut according to the number of poles (pre-cut in factory).

Padlocking in off-position by 3 dia. 8mm padlocks.

Packaging: 5 pieces - Weight: 38g

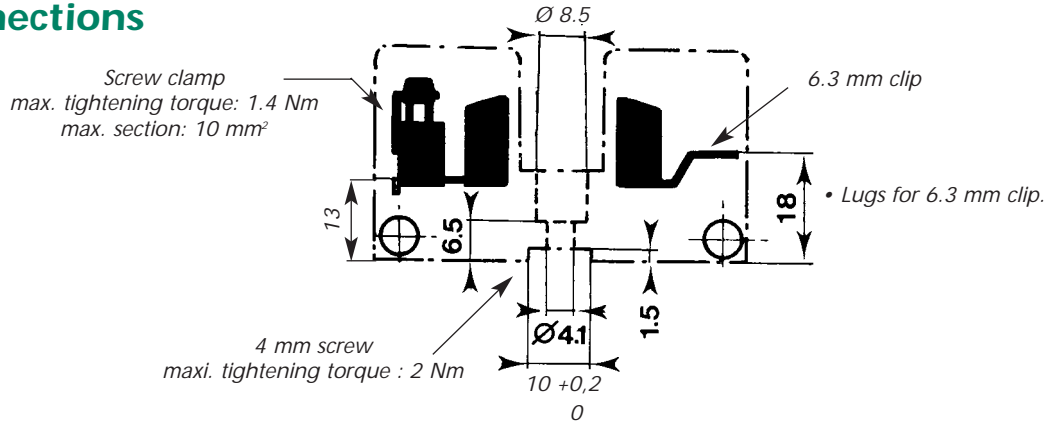
Fixing adapters for DIN-rail mounting

	Rail type	Ref. Number	Designation	Packaging	Weight	Catalog number
	DIN symmetrical EN 50022	B092093	FIXOMEGA FM4	10	1,5g	MIFIXOMEGAFM4
	DIN asymmetrical EN 50035	K092046	EF 46	10 and 100	4g	-

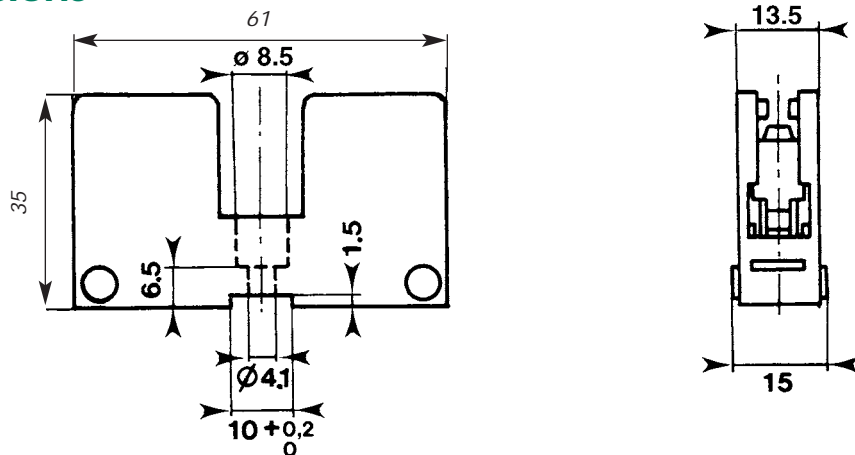


Miniature Fuses Fuse Holders and Disconnectors SI 6.32

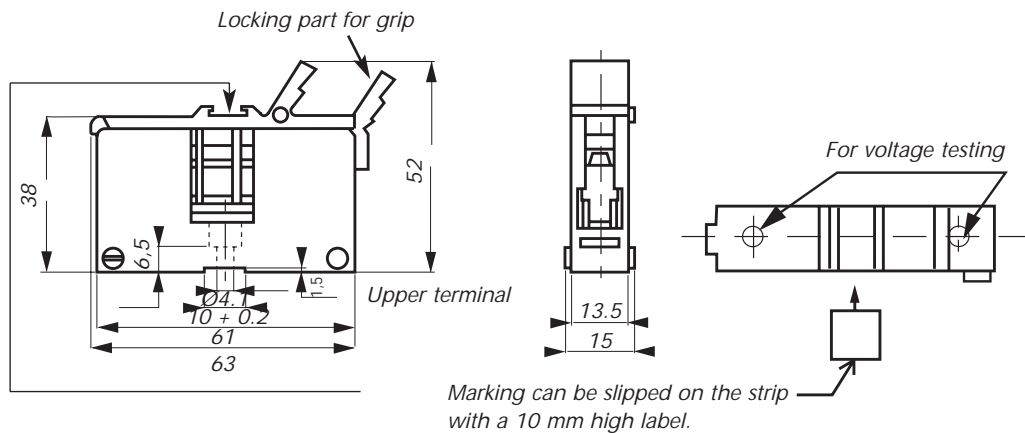
Connections



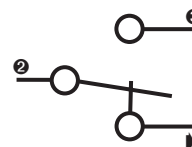
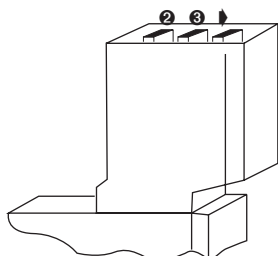
Holder dimensions



Disconnecter dimensions



Connecting auxiliary blown-fuse microswitch



Connection:
Soldering or 2.8 mm clips